

Air Bear® Cub

Media Whole-House Air Cleaners



PRODUCT DATA SHEET



Performance:

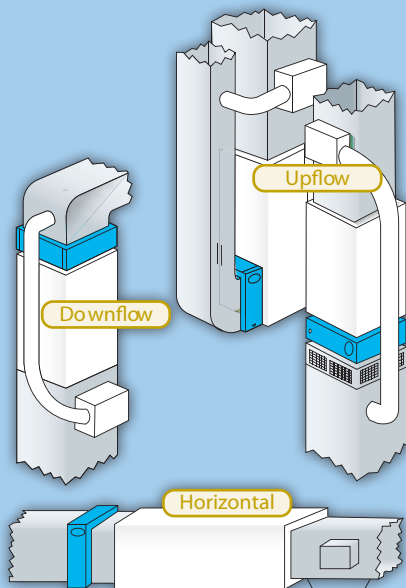
- Rated airflow up to 1200 CFM.
- Non-woven, 3" thick, pleated Air Bear® media filter traps particles as small as 1 micron.
- Tested using ANSI/ASHRAE 52.2 - 2007 standard procedures.
- Efficiency rating of MERV 8, MERV 11, or MERV 13.

Features:

- Quick and easy installation.
- Air Bear® filters capture and hold pollutants inside the filter, allowing air to flow freely through the system.
- Mechanical MERV 8 filter maintains efficiency under all operating conditions.
- High performance MERV 11 and MERV 13 filters, electrostatically-charged synthetic material, provide superior efficiency with minimal added pressure drop.
- Narrow profile fits in tight spaces.
- Mounts directly to heating and cooling systems.
- Suitable for use with all types of central forced-air configurations.
- Rugged cabinet construction for long life.

Warranty:

- Lifetime limited warranty on cabinet.

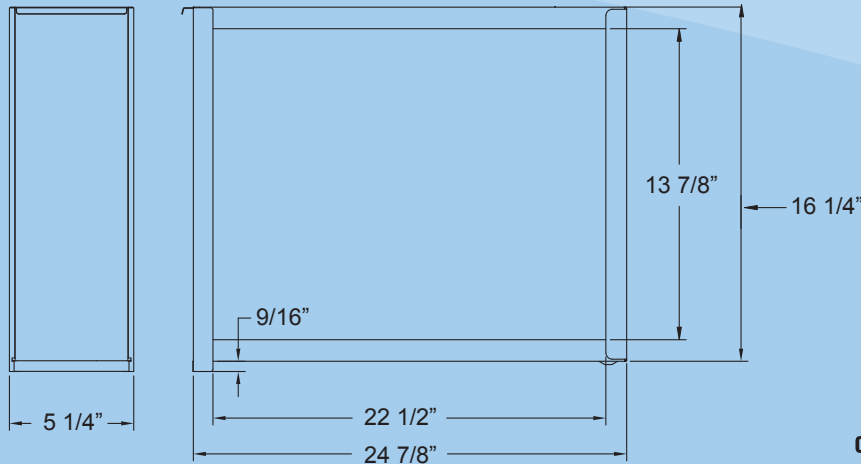


Another True Member of
the Air Bear® Family

UNITS NOT FOR COMMERCIAL USE

PRODUCT DATA SHEET

Air Bear[®] Cub Dimensions



Model	Air Bear [®] Cub		
	MERV 8	MERV 11	MERV 13
Shipping Weight	12 lbs.		
Part No. (Warm Grey)	455602-427	455602-927	Not Available
Part No. (British White)	455602-425	455602-925	455602-0425
Media Part No. (6 Pack)	255649-101	259112-101	266649-101
Rated Airflow	1200 CFM		
Media Size	3" D x 15 3/4" H x 24 1/4" W		
Media Type	100% Synthetic Disposable / Factory Assembled		
Media Listing	UL Classified (See complete marking on product.)		
Cabinet Finish	Powder-Coated Paint Finish		
Universal Application	Right/Left-Hand Installation		
Optional Accessories	Pre-Filter, Charcoal After-Filter		

Indoor Air Quality Since 1947

ISO 9001:2015 Certified

Industry Memberships:



Proudly Designed,
Engineered, and
Manufactured in the USA.*



*Manufactured with domestic
and foreign components.

To help serve you better,
please contact us at:

800-884-0002 (tel)

800-458-2379 (fax)

TRION[®]

101 McNeill Road
Sanford, NC 27330

www.trioniaq.com

customerservice@trioniaq.com

TRION[®] is a registered trademark of Air System Components, Inc. Air System Components, Inc. is a subsidiary of Johnson Controls Inc. All product specifications reflect available information at the printing of this brochure. TRION[®] reserves the right to revise or modify products and/or specifications without notice. © 2018 TRION[®]