

Air Bear® Right Angle

Media Whole-House Air Cleaners



PRODUCT DATA SHEET



Performance:

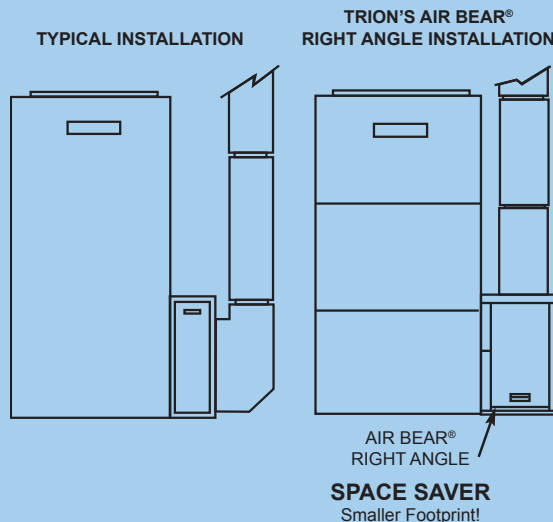
- Rated airflow of up to 2000 CFM.
- Non-woven, 5" thick, pleated Air Bear® media filter traps particles as small as 1 micron.
- Tested in accordance with ANSI/ASHRAE 52.2-2007.
- Efficiency rating of MERV 8, MERV 11, or MERV 13.

Features:

- Quick and easy installation.
- Air Bear® filters capture and hold pollutants inside the filter, allowing air to flow freely through the system.
- Mechanical MERV 8 filter maintains efficiency under all operating conditions.
- High performance MERV 11 and MERV 13 filters, electrostatically-charged synthetic material, provide superior efficiency with minimal added pressure drop.
- Designed for installations that require a 90° duct adapter.
- Mounts directly to heating and cooling systems.
- Suitable for use with all types of central forced-air configurations.
- Space-saving design is ideal for basement applications.
- Rugged cabinet construction for long life.

Warranty:

- Lifetime limited warranty on cabinet.

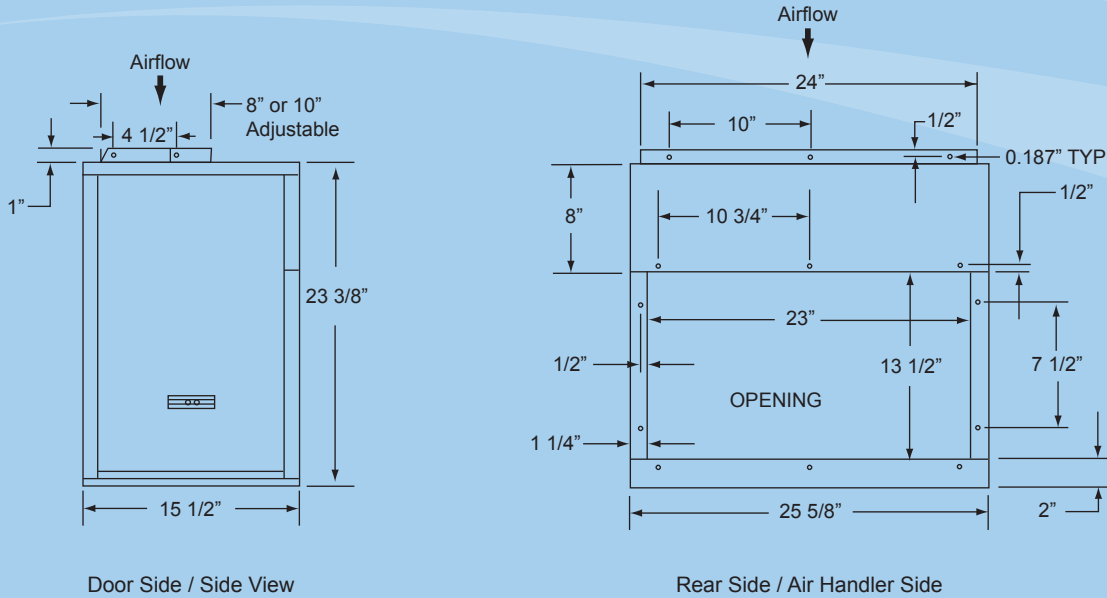


Another True Member of
the Air Bear® Family

UNITS NOT FOR COMMERCIAL USE

PRODUCT DATA SHEET

Air Bear® Right Angle Dimensions



Model	Air Bear® Right Angle Supreme			Air Bear® Right Angle Supreme-HD		
	MERV 8	MERV 11	MERV 13	MERV 8	MERV 11	MERV 13
Duty	26 ga Standard Duty			20 ga Heavy Duty		
Shipping Weight	24 lbs.			35 lbs.		
Part No. (Warm Grey)	447380-011	447380-511	Not Available	266380-011	266380-511	Not Available
Part No. (British White)	447380-010	447380-510	447380-0010	266380-010	266380-510	266380-0010
Media Part No. (3 Pack)	255649-102	259112-102	266649-102	255649-102	259112-102	266649-102
Rated Airflow	Up to 2000 CFM					
Media Size	5" D x 20" H x 24 1/2" W					
Media Type	100% Synthetic Disposable / Factory Assembled					
Media Listing	UL Classified (See complete marking on product.)					
Cabinet Finish	Powder-Coated Paint Finish					
Universal Application	Right/Left-Hand Installation					
Optional Accessories	Pre-Filter, Charcoal After-Filter					

Indoor Air Quality Since 1947.

Industry Memberships:



Proudly Designed,
Engineered, and
Manufactured in the USA.*



*Manufactured with domestic and foreign components.

To help serve you better,
please contact us at:

800-884-0002 (tel)
800-458-2379 (fax)

TRION®
101 McNeill Road
Sanford, NC 27330
www.trioniaq.com
customerservice@trioniaq.com

TRION® is a registered trademark of Air System Components, Inc. Air System Components, Inc. is a subsidiary of Johnson Controls Inc. All product specifications reflect available information at the printing of this brochure. TRION® reserves the right to revise or modify products and/or specifications without notice. © 2017 TRION®