

# 707

## Atomizing Humidifier



### PRODUCT DATA SHEET



#### Performance:

- Reduce energy costs and improve comfort.
- Increasing the home's relative humidity to 40% - 60% makes it feel more comfortable at 68°F / 20°C than it does at 73°F / 23°C at a low relative humidity level.
- Lower thermostat settings deliver substantial savings on monthly energy bills.
- Capacity Output: 6.0 gallons per day at 120°F.

#### Features:

- Installation is quick and easy.
- Easy Assembly - Just fit the dome snugly on top of the pan – and that's it!
- 120V wall or duct-mount humidistat is easily adjustable from 20% to 80% relative humidity.
- Centrifugal atomizing humidifiers are installed onto the return duct or as a free-standing unit where a superfine mist is fed directly to a room.
- Includes an independent mounting bracket and discharge extension to extend through wall for installation flexibility.

#### How Humidifiers Work:

The centrifugal atomizing humidifiers are installed onto the return duct where a superfine mist is generated, quickly absorbed into the air, and distributed into the home. The 707 can also operate as a free standing unit where a superfine mist is fed directly in to a room. The humidistat automatically controls the operations to ensure that the proper amount of moisture is added in to the air. The humidistat is either installed on the interior wall or in the cold air return duct upstream from the unit. There are no pads or filters to change, so maintenance is minimized.

#### Warranty:

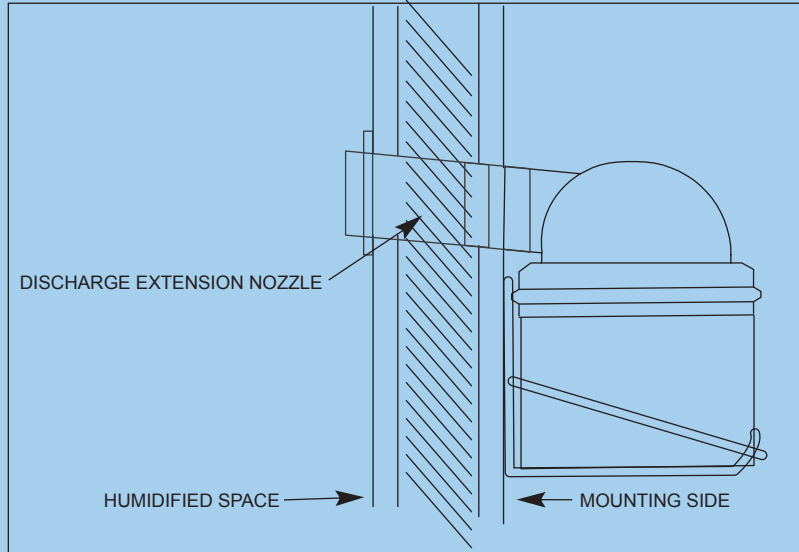
- 2-Year Limited Warranty

**PRODUCT DATA SHEET**

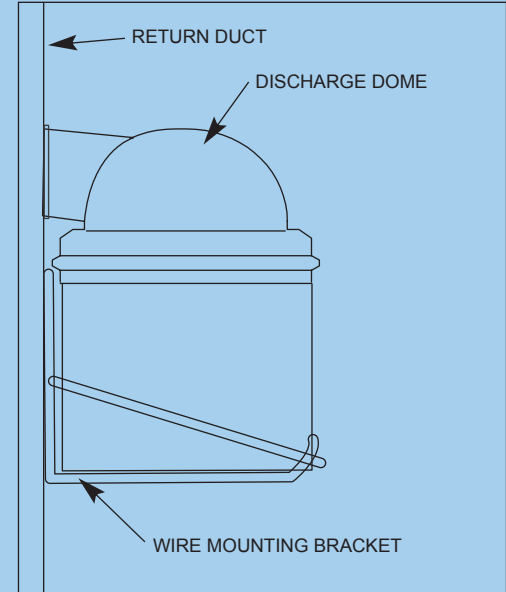
707

Model	707
Part No.	356686-001
Type of Unit	Centrifugal Atomizer
Max Evaporative Capacity	6.0 Gallons Per Day - (0.95 Lph)
Voltage	120V
Unit Weight	11 lbs (5.0 kg)
Shipping Weight	13 lbs (5.9 kg)
Dimensions	10 1/2" Diameter x 12" H / Packaging - 13 1/4" W x 13 1/4" D x 16 3/4" H (276 x 305 mm) / (Packaging - 336 W x 336 D x 425 H mm)
Water Supply	1/4" (6.4 mm) Copper or Plastic, 125 PSI Maximum (8.6 Bar)
Humidistat	Adjustable from 20% to 80% Relative Humidity
Drain	1/2" (12.8 mm) O.D.

**Through the Wall Installation**



**Return Duct Installation**



Indoor Air Quality Since 1947.

ISO 9001:2008 Certified.

Industry Memberships:



Proudly Designed,  
Engineered, and  
Manufactured in the USA.\*



\*Manufactured with domestic  
and foreign components.

To help serve you better,  
please contact us at:

800-884-0002 (tel)

800-458-2379 (fax)

**TRION**

101 McNeill Road  
Sanford, NC 27330

[www.trioniaq.com](http://www.trioniaq.com)

customerservice@trioniaq.com

TRION® is a registered trademark of Air System Components, Inc. Air System Components, Inc. is a subsidiary of Johnson Controls Inc. All product specifications reflect available information at the printing of this brochure. TRION® reserves the right to revise or modify products and/or specifications without notice. © 2015 TRION®