

TRION[®]

Indoor Air Quality



READ AND SAVE THESE INSTRUCTIONS

UNIT NOT FOR COMMERCIAL USE

ComfortBreeze[®]
UV360-1 SYSTEM
24V Ultra-Violet Air Cleaner

1. Warranty

ComfortBreeze® UV360 System 1-Year Limited Warranty

This limited warranty covers TRION Residential Type UV Air Cleaners, excluding duct work, wiring and installation. TRION warrants that all new TRION UV Air Cleaners are free from defects in material and workmanship under normal, non-commercial use and service. TRION will remedy any covered defects if they appear within 12 months from the date of original installation & subject to the terms and conditions of this Limited 1-Year Warranty stated below:

1. THIS LIMITED 1-YEAR WARRANTY is granted by TRION Customer Service, 101 McNeill Road, Sanford, NC 27330.
2. This warranty shall extend only to any non-commercial owner who has purchased the residential UV Air Cleaner other than for purposes of resale.
3. All components are covered by this limited warranty except expendable items.
4. If, within the warranty period, any TRION residential UV Air Cleaner or component requires service it must be performed by a competent heating and/or air conditioning contractor (preferably the installing contractor). TRION will not pay shipping charges, or labor charges to remove or replace such defective parts or components. If the part or component is found by inspection to contain such defective material and workmanship it will be either repaired or exchanged free of charge at TRION's option, and returned freight collect.
5. In order to obtain the benefits of this limited 1-year warranty, the owner must notify the dealer or distributor of any defect within 30 days of its discovery. If after reasonable time you have not received an adequate response from the dealer or distributor, notify in writing to TRION Customer Service 101 McNeill Road, Sanford, NC 27330, or call 1-800-884-0002 or email customerservice@trioniaq.com. UV Air Cleaners which have been installed or become part of real estate cannot be returned. TRION will receive, freight prepaid, only removable parts or components of such defective UV Air Cleaners.
6. This limited warranty does not apply to any part or component that is damaged in transit or in handling, has been subject to misuse, neglect or accident; has not been installed, operated and serviced according to TRION's instructions; has been operated beyond the factory rated capacity; or altered in any such way that its performance is affected. There is no warranty due to neglect, alteration or ordinary wear and tear. TRION's liability is limited to replacement of defective parts or components and does not include the payment of the cost of labor charges to remove or replace such defective components or parts.
7. TRION will not be responsible for loss of use of any product; loss of time, inconvenience, or any other indirect, incidental or consequential damages with respect to person or property, whether as a result of breach of warranty, neglect or otherwise. **SOME STATES DO NOT ALLOW THE EXCLUSION OR LIMITATION OF INCIDENTAL OR CONSEQUENTIAL DAMAGES, SO THE LIMITATION OR EXCLUSION IN THE PRECEDING SENTENCE MAY NOT APPLY TO YOU.**
8. THIS WARRANTY GIVES YOU SPECIFIC RIGHTS, AND YOU MAY ALSO HAVE OTHER RIGHTS WHICH VARY FROM STATE TO STATE.
9. Any warranty by TRION of merchantability, fitness for use or any other warranty (express, implied or statutory), representation or guarantee other than those set forth herein, shall expire at the expiration date of this express limited warranty. **SOME STATES DO NOT ALLOW LIMITATIONS ON HOW LONG AN IMPLIED WARRANTY LASTS, SO THE LIMITATION IN THE PRECEDING SENTENCE MAY NOT APPLY TO YOU.**
10. TRION reserves the right to make changes in the design and material of its products without incurring any obligation to incorporate such changes in units completed on the effective date of such change.

2. Safety & Warnings

DANGER

RISK OF ELECTRIC SHOCK

Before installation, cleaning, servicing, or parts replacement, the unit must be disconnected from all sources of electricity. There may be more than one switch.

WARNING

Never expose eyes or skin to the UVC light.

- Looking directly at a UVC light source may cause permanent eye damage or even blindness.
- Never operate the UV360 Purifying System outside plenum.
- This product is designed for a closed HVAC duct system. Do not mount near a supply or a return air opening.
- All duct openings in direct line of site of the UVC energy source is to be sealed, using an aluminum tape or an equivalent sealing product.

WARNING

Improper installation, adjustment, alteration, service, or maintenance may cause property damage, injury, or death. This appliance must be installed according to these instructions. Read these instructions thoroughly before installing or servicing the unit.

CAUTION

Read these instructions thoroughly before installing this unit. Check data label and verify electrical specifications agree with those at the point of installation.

WARNING

Installation in freezing conditions can result in unit failure. Damage to personal property may also result.

CAUTION

TRION recommends that this UV Air Cleaner be installed by a trained HVAC professional. Do not connect the unit to the power source until the installation is complete. A thorough checkout of the unit installation should be completed before operating the unit. Failure to follow these directions may void the manufacturer's original warranty.

WARNING

Electrical power to the furnace must be disconnected before proceeding. Serious injury or death may result.

WARNING

If the UV lamp is broken, **DO NOT TOUCH** the lamp or internal contents of lamp. The lamp contains mercury.

- After opening the carton, unpack and inspect the unit and lamp for damage. Do not install this unit if any noticeable damage. If lamp is damaged do not touch lamp or other contents in carton. Close carton and return to seller immediately.
- In case of accidental exposure to internal contents of lamp, wash hands and affected skin with mild detergent. Remove any affected clothing immediately. If skin has been pierced, seek medical attention immediately.

3. Application

The UV360's unique "low-voltage" 24V power supply delivers up to 22 Watts of UV-C power into most any application. Its lamp and socket are water-resistant, and 24V power means reduced danger from fire or shock. The UV360 installs simply from the exterior of HVAC equipment, no need to access the systems interior. Simply create a 2-7/8" insertion hole at the intended site, mount the fixture and plug its UL Listed adapter into a nearby wall socket, or, wire it to a suitable 24V power source (with no power fluctuations).

NOTE: THE UV360 IS RATED AT 22VA. IT IS RECOMMENDED THAT THE ANTICIPATED 24V SOURCE BE CHECKED FOR ITS ABILITY TO SERVICE A 22VA LOAD. A SEPARATE TRANSFORMER IS RECOMMENDED.

4. Safety Considerations

Improper installation, adjustment, alteration, service, maintenance, or use can cause fire, electrical shock, or other conditions which may cause personal injury or property damage and loss of warranty. Consult a qualified installer, service agency, or your supplier for information or assistance. The qualified installer or agency must use factory kits or accessories when installing this product. Refer to the individual instructions packaged with kits or accessories when installing them. Follow all safety codes and wear safety glasses and work gloves. Read all instructions thoroughly and follow any warnings or cautions attached to any accessed area. Consult local building codes and the National Electrical Code (NEC) for all applicable requirements.

Understand the signal words DANGER, WARNING or CAUTION. These words are universally used for overall safety. DANGER identifies the most serious hazards, which will result in severe personal injury or death. WARNING signifies hazards, which could result in personal injury or death. CAUTION is used to identify unsafe practices, which would result in minor personal injury or product and property damage and loss of warranty.

4. General

1. UV360 fixtures are used to bathe surfaces, air or both with UV-C energy. For surfaces locate the UV360 at known growth areas such as above the coil and drain pan first, then other moist areas around humidifiers, etc. They can also be placed in return, supply and mixed air plenums or any combination of these locations.
2. Check first for power 120V wall socket availability or 24V DC and all probable service accesses.

"What's in the Box?"

UV360	Description
167315-001	UV-C Light Kit*
167315-102	UV Bulb, 17" Phillips

* UV-C Light Kit includes hole saw, installation template, mounting ring, and 24V DC adapter.

5. Power Requirements

The UV360 is rated at 24V DC 50/60Hz-1 AMP.

6. Installation

(designed for metal plenums/drain pans and ducting):

1. Consult all applicable codes before installing. Check fixture label(s) for the correct power requirements and supply the correct voltage from a suitable, protected (fused or breaker), and grounded power source.

⚠ CAUTION

Using other than labeled voltages voids warranty and may damage to the entire system. Operate fixture continuously to avoid growth of mold and bacteria in damp areas (when AHU is off) and to extend product life.

2. Power must also be switched, at all install access points, with a properly rated SPST interlock switch to completely de-energize the assembly when its install location is accessed. Accesses are to have signs in appropriate languages alerting maintenance personnel to the possible hazard of looking at, or exposing skin to UVC energy (English label(s) provided).

NOTE: UV-C energy may damage certain plastics. Protect susceptible items with UV-C resistant materials such as aluminum tape, foil or aluminum paint when these items are in "line of sight" of UV-C energy.

3. Determine mounting location and apply template - cut the hole using the included 2 7/8" hole saw.
4. When installing on duct-board, use the provided Duct-Board Mounting Plate to provide a stronger mounting surface. Apply template to the Duct-Board Mounting Plate.

⚠ CAUTION

Do not drill into refrigerant lines or other critical system components. After cutting hole, avoid sharp edges.

5. Slide mounting "ring" into hole and affix with 3 Phillips screws (Image B)

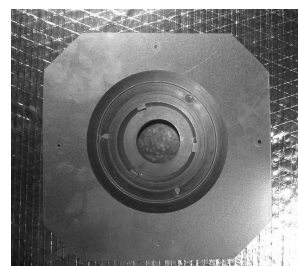


Image A: Mounting Ring



Image B: Mounting Ring

6. Remove LampClamp™ 'nut' (image C). Insert lamp into socket until it "clicks" in. Slide LampClamp over end of lamp and hand tighten.



Image C: LampClamp

7. Insert power supply/UV lamp into the mounting ring; pull up on yellow locking clip; turn clock-wise until power supply is fully installed.
8. Push-in yellow locking clip to lock power supply into mounting ring (photo C).

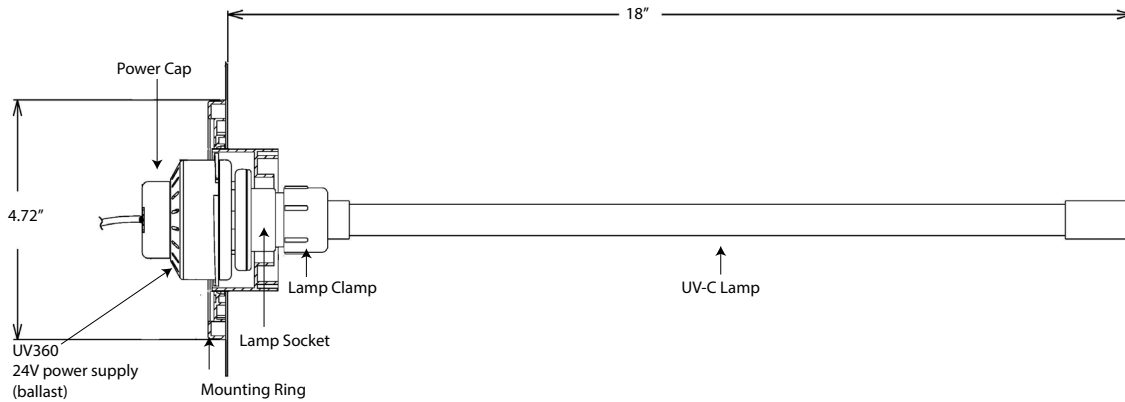
7. Connecting Power

1. Hardwiring: Read labeled power requirements – wire to 24V-1A, DC power, in accordance NEC and local codes.
2. All power-in 'wire' and 'switch ratings' must be in accordance with applicable codes. Power must also be switched at all install access points with a properly rated, SPST interlock switch in order to completely de-energize the assembly when its install location is accessed.
3. Connect power "cap" (white) to fixture and twist clockwise to secure.
4. Soft wiring: A 24V DC adapter is provided. Plug adapter into 120V wall socket and secure.

8. Maintenance

UV-C lamps should be replaced annually. While there still may be a visible blue light, this is not an indication of UV-C output (the UV-C wavelength is invisible). Contact your local TRION representative or visit www.trioniaq.com. Lamp part number: 167315-102.

9. Diagrams



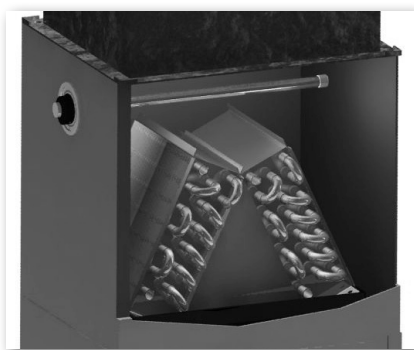
10. Installation Location Options

The ComfortBreeze UV360 24V UV-C fixture can be placed in several locations in the A/C system. Images of typical residential A/C systems and the various locations that the ComfortBreeze UV360 can be installed are as follows:

A = Best installation

B = Better installation

C = Good installation



Typical Upflow Coil

Typical Horizontal Slab Coil (Figures 1 and 2)

Figure 1

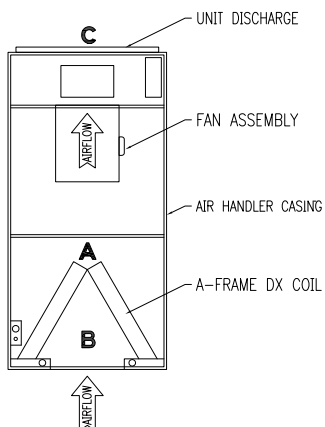
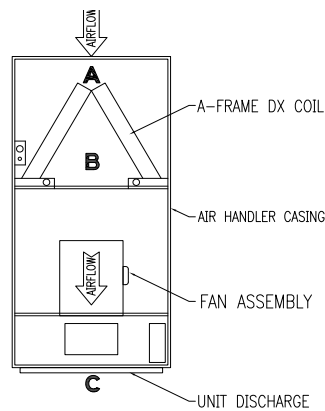


Figure 2



Typical Horizontal A-Coil: Right Airflow (Figures 3 and 4)

Figure 3

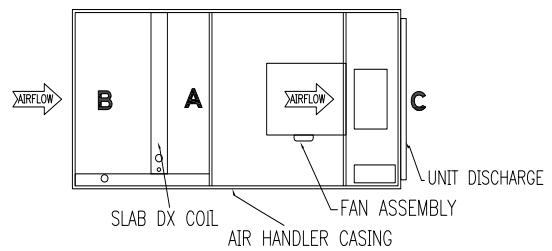
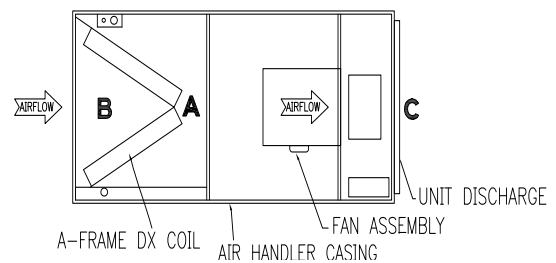
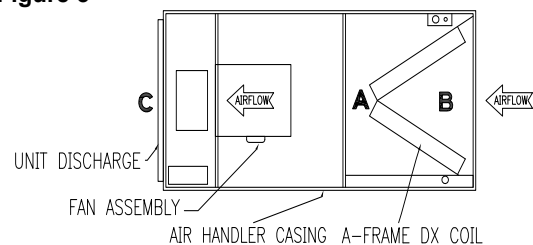


Figure 4



Typical Horizontal A-Coil: Left Airflow (Figure 5)

Figure 5





TRION®

101 McNeill Rd. | Sanford, NC 27330

P: 800.884.0002 | F: 800.458.2379 | www.trioniaq.com | customerservice@trioniaq.com
