

CB777

Atomizing Humidifier



PRODUCT DATA SHEET



Performance:

- Reduce energy costs and improve comfort.
- Increasing the home's relative humidity to 40% - 60% makes it feel more comfortable at 68°F / 20°C than it does at 73°F / 23°C at a low relative humidity level.
- Lower thermostat settings deliver substantial savings on monthly energy bills.
- Capacity Output: 6.0 gallons per day at 120°F.

Features:

- Installation is quick and easy.
- Easy assembly - just fit the dome snugly on top of the pan, and that's it!
- 120V wall or duct-mount humidistat is easily adjustable from 20% to 80% relative humidity.
- Centrifugal atomizing humidifiers are installed onto the return duct or as a free-standing unit where a superfine mist is fed directly to a room.
- Through-the-wall mounting kit available (Part No. 269532-201)

How Humidifiers Work:

The centrifugal atomizing humidifiers are installed onto the return duct where a superfine mist is generated, quickly absorbed into the air, and distributed into the home. The CB777 can also operate as a free standing unit where a superfine mist is fed directly in to a room. The humidistat automatically controls the operations to ensure that the proper amount of moisture is added in to the air. The humidistat is either installed on the interior wall or in the cold air return duct upstream from the unit. There are no pads or filters to change, so maintenance is minimized.

Warranty:

- 2-Year Limited Warranty

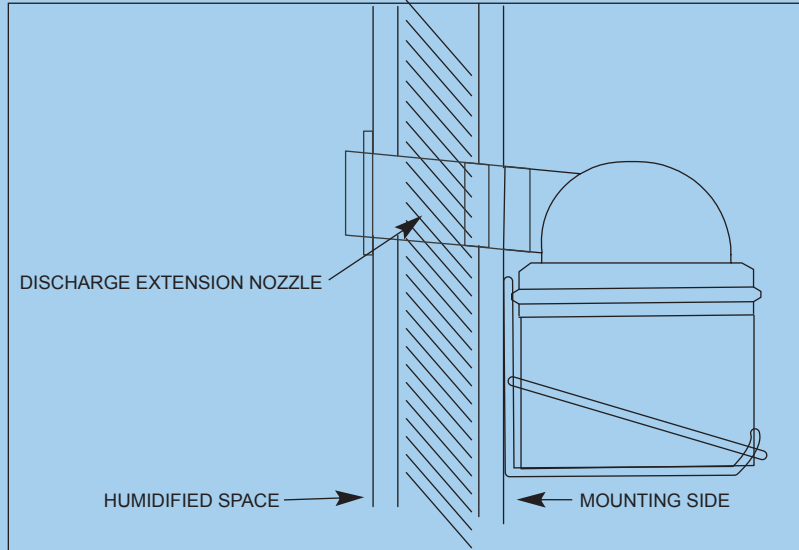
UNIT NOT FOR COMMERCIAL USE

PRODUCT DATA SHEET

CB777

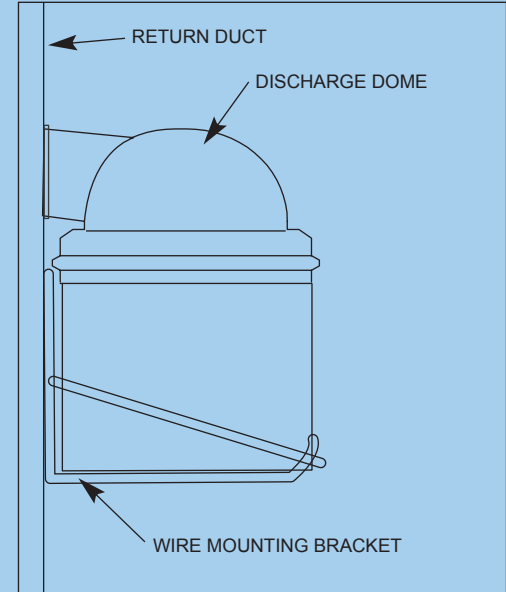
Model	CB777
Part No.	269450-001
Type of Unit	Centrifugal Atomizer
Max Evaporative Capacity	6.0 Gallons Per Day - (0.95 Lph)
Voltage	120V
Unit Weight	11 lbs (5.0 kg)
Shipping Weight	13 lbs (5.9 kg)
Dimensions	10 1/2" Diameter x 12" H / Packaging - 13 1/4" W x 13 1/4" D x 16 3/4" H (276 x 305 mm) / (Packaging - 336 W x 336 D x 425 H mm)
Water Supply	1/4" (6.4 mm) Copper or Plastic, 125 PSI Maximum (8.6 Bar)
Humidistat	Adjustable from 20% to 80% Relative Humidity
Drain	1/2" (12.8 mm) O.D.

Through the Wall Installation*



* Requires purchase of Part No. 269532-201, CB777 Through-the-Wall Mounting Kit

Return Duct Installation



Indoor Air Quality Since 1947

ISO 9001:2015 Certified

Industry Memberships:

HARDI

ACCA

ASHRAE

Proudly Designed,
Engineered, and
Manufactured in the USA.*



To help serve you better,
please contact us at:

800-884-0002 (tel)

800-458-2379 (fax)

TRION®

101 McNeill Road

Sanford, NC 27330

www.trioniaq.com

customerservice@trioniaq.com

TRION® is a registered trademark of Air System Components, Inc. Air System Components, Inc. is a subsidiary of Johnson Controls Inc. All product specifications reflect available information at the printing of this brochure. TRION® reserves the right to revise or modify products and/or specifications without notice. © 2018 TRION®