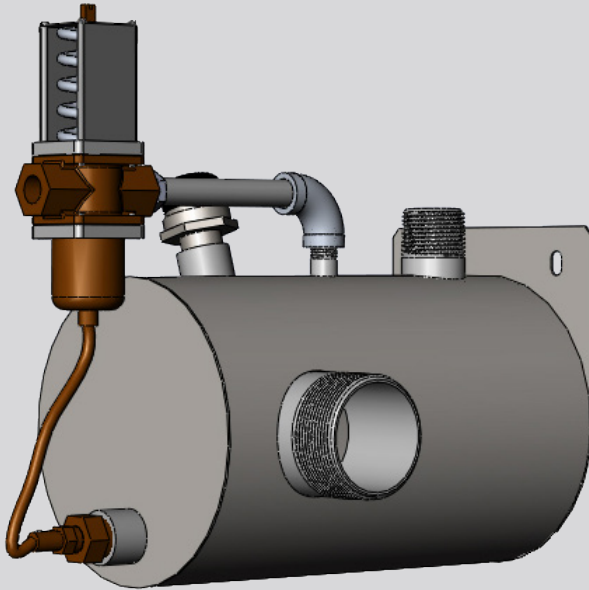


Drain Tempering Reservoir

Engineered Humidification System



PRODUCT DATA SHEET



*Drain Tempering Reservoir
(Actual appearance may vary)*

Introduction:

The Drain Tempering Reservoir mixes cool supply water with hot discharge water from steam humidifiers to ensure drain water temperatures are below the limits that may be set for municipal sewer systems and by local/state plumbing codes. The Drain Tempering Reservoir may be used if municipalities prohibit draining water hotter than 140 °F (60 °C) into their sewer systems. PVC drain pipes are susceptible to damage from excessively hot drain water. The Drain Tempering Reservoir may replace or supplement the drain tempering feature available on Herrtronic steam humidifiers. When used with the Herrmersion RE, the Drain Tempering Reservoir can successfully temper hot discharge water from the skimming port. The integral mounting bracket simplifies installation.

Operational Characteristics:

Hot drain water being discharged from a humidifier enters the Drain Tempering Reservoir through the top threaded connection. The vacuum breaker prevents backflow into potable water systems. Cold supply water enters through the temperature-actuated valve and mixes with the hot drain water. The sensing bulb, located inside the reservoir, ensures that water leaving the Drain Tempering Reservoir is 140 °F (60 °C) or less before entering the buildings drain system.

Used with These Products:

- Herrmersion RE Series Steam Humidifiers
- Herrtronic MD Series Steam Humidifiers
- Herrtronic 6000 Series Steam Humidifiers
- Hurricane Series Steam Humidification Systems
- Herrmidisteam SS Series Humidifiers

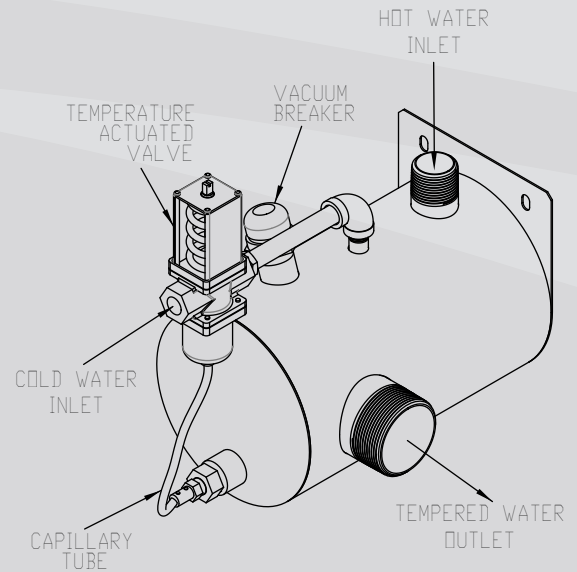
Features & Benefits:

- Horizontal Discharge allows for pitched drain piping.
- Fully Mechanical Operation - No electricity is required for operation. No wiring is needed.
- Integral Mounting Plate for quick and easy installation.
- Vacuum Breaker prevents backflow into potable water systems.
- Adjustable mixing valve ensures proper drain water temperature.
- Large port construction simplifies cleaning and service.
- 2-year warranty.

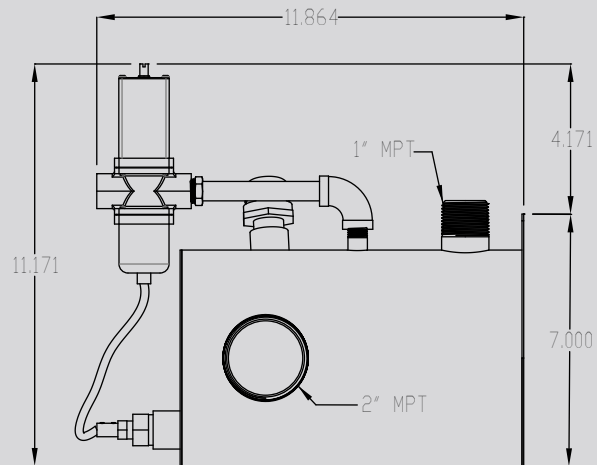
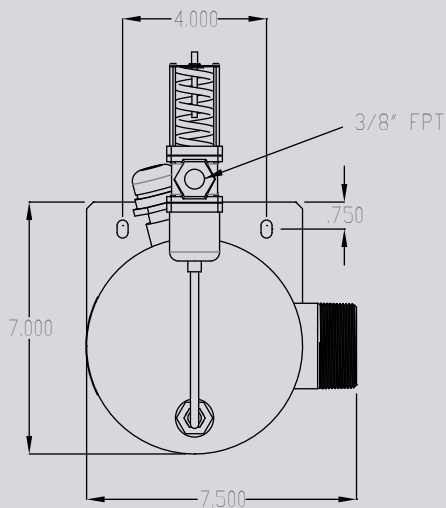
PRODUCT DATA SHEET

General Specifications:

Drain Tempering Reservoir	266532-001
Hot water Inlet Connection	1" MPT
Cold Water Inlet Connection	3/8" FPT
Tempered Water Outlet Connection	2" MPT
Maximum Hot Water Temperature	212 °F
Maximum Supply Water Temperature	70 °F
Tempered Water Outlet	140 °F Nominal
Unit Weight	6 Lbs.



Unit Dimensions:



Indoor Air Quality Since 1947

ISO 9001:2015 Certified

Industry Membership:



Proudly Designed,
Engineered, and
Manufactured in the USA.*



*Manufactured with domestic and foreign components.

To help serve you better,
please contact us at:

800-884-0002 (tel)

800-458-2379 (fax)

TRION®

101 McNeill Road
Sanford, NC 27330

www.trioniaq.com

customerservice@trioniaq.com

TRION® is a registered trademark of Air System Components, Inc. Air System Components, Inc. is a subsidiary of Johnson Controls Inc. All product specifications reflect available information at the printing of this brochure. TRION® reserves the right to revise or modify products and/or specifications without notice. © 2018 TRION®