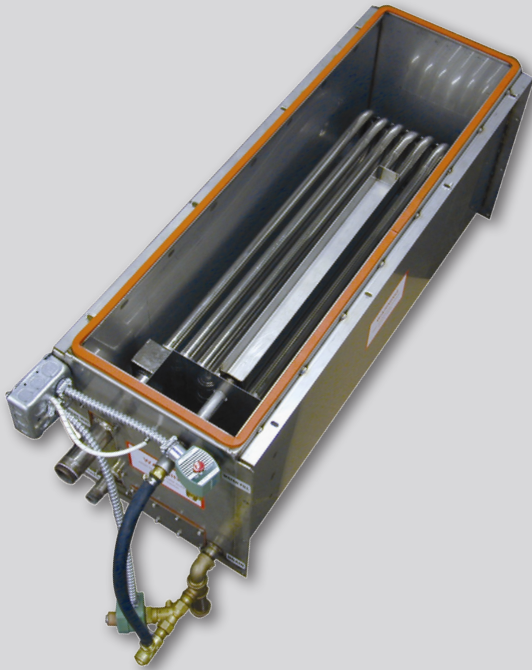


# Herrmidisteam - SS

## Isothermal Steam to Steam Humidifier



### PRODUCT DATA SHEET



*Herrmidisteam™ heats and boils clean water into chemical-free steam to be distributed throughout the facility.*

#### Applications:

- Laboratories
- Cleanrooms
- Paper Storage & Handling
- Office Buildings
- Hospitals / Clinics / Medical Offices
- Manufacturing Plants
- Semiconductor Manufacturing
- Printing Operations
- Museums
- Research Facilities

#### Introduction:

The Herrmidisteam™ Isothermal Steam to Steam (SS) humidifier is designed to provide “clean steam” that is free of boiler treatment chemicals that are associated with some conventional plant steam humidifiers. Each system is custom engineered to assure quality, performance, and a long, trouble-free service life.

The Herrmidisteam™ system operates by circulating plant steam through a specially engineered heat exchanger that generates steam in a stainless steel vaporization chamber. Designed for use with raw water or deionized/reverse osmosis technical waters, the resulting steam is as clean as the water being supplied to the unit.

Output capacities are available up to and exceeding 700 lbs/hr of steam.

Each unit comes complete with a dedicated control system and a control valve package that includes condensate traps, line strainer, control valve, and actuator. The Herrmidisteam™ control system will accept a proportional demand signal from a BMS or humidity controller. Optional installation configurations and control schemes are available to meet special application needs.

#### Features & Benefits:

- Purity of Steam Humidification
- Compatible with Raw or Technical Waters
- Utilizes Existing Energy Source
- Simple Maintenance
- Stainless Steel Vaporization Chamber
- Flexible Mounting Options
- Works with Hericane or Est Dispersion Tubes
- ETL Listed

#### Warranty:

- 2-Year Limited Warranty



# Herrmidisteam - SS

## Isothermal Steam to Steam Humidifier

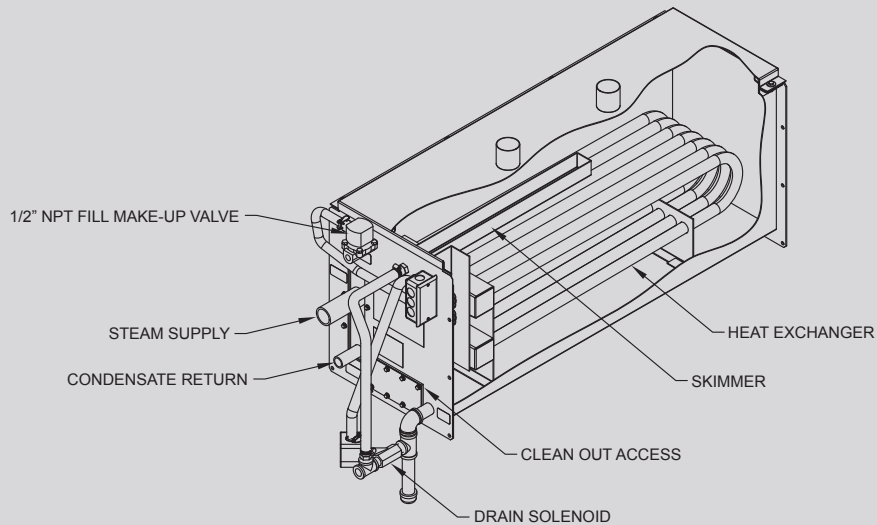
### PRODUCT DATA SHEET

#### Stainless Steel HXR Max. Output Capacities:

Model	5 PSI	10 PSI	13 PSI	15 PSI
SS-200	55 lbs/hr	120 lbs/hr	165 lbs/hr	200 lbs/hr
SS-500	65 lbs/hr	210 lbs/hr	310 lbs/hr	400 lbs/hr
SS-800	185 lbs/hr	375 lbs/hr	540 lbs/hr	760 lbs/hr

#### Unit Weights:

Model	SS-200	SS-500	SS-800
Shipping Weight	125 lbs	140 lbs	320 lbs
Operating Weight	330 lbs	350 lbs	950 lbs



Indoor Air Quality Since 1947

ISO 9001:2015 Certified

Industry Membership:



Proudly Designed,  
Engineered, and  
Manufactured in the USA.\*



*\*Manufactured with domestic  
and foreign components.*

To help serve you better,  
please contact us at:

800-884-0002 (tel)

800-458-2379 (fax)

TRION®

101 McNeill Road  
Sanford, NC 27330

[www.trioniaq.com](http://www.trioniaq.com)

[customerservice@trioniaq.com](mailto:customerservice@trioniaq.com)

TRION® is a registered trademark of Air System Components, Inc. Air System Components, Inc. is a subsidiary of Johnson Controls Inc. All product specifications reflect available information at the printing of this brochure. TRION® reserves the right to revise or modify products and/or specifications without notice. © 2018 TRION®