

Replacement Atomizing Heads

Air/Water Humidification Systems



PRODUCT DATA SHEET



Replacement Atomizing Heads are available in brass or stainless steel construction.

Introduction:

Replacement Air/Water Atomizing Heads utilize air and water under pressure to atomize the water into tiny droplets. These droplets are sprayed either directly into open space or released into a ducted airstream where they rapidly evaporate to a gaseous state and raise the level of relative humidity.

The Air/Water Atomizing Heads are designed and manufactured for dependable, extended operation. All brass or stainless steel construction eliminates rust and minimizes corrosion. Annual maintenance is typically sufficient to maintain performance. Atomizing heads are available in capacities of 6, 8, 10, 12, or 15 pounds of water per hour and consume only 0.12 CFM of air per pound of water capacity. An entire 100 lbs/hr system only consumes 12 SCFM!

The stainless steel cleaning needle ensures that the water orifice will remain clear of debris or mineral build-up. A spring-loaded silicone seat ensures positive shut-off of the supply water preventing dripping when the heads are not in operation. The heads are operated in an on/off fashion when part of a Dual Pneumatic System (open space) or may be fully modulated when used as part of a Herrmidicool System (ducted).

Applications Include:

- Cold Storage Rooms
- Food Processing & Storage
- Leather Storage
- Textile Plants
- Woodworking Plants
- Printing Operations
- Ducted Air Distribution
- Air Handling Units
- Hospitals & Medical Clinics
- Telecommunications
- Commercial Office Buildings
- Computer Rooms

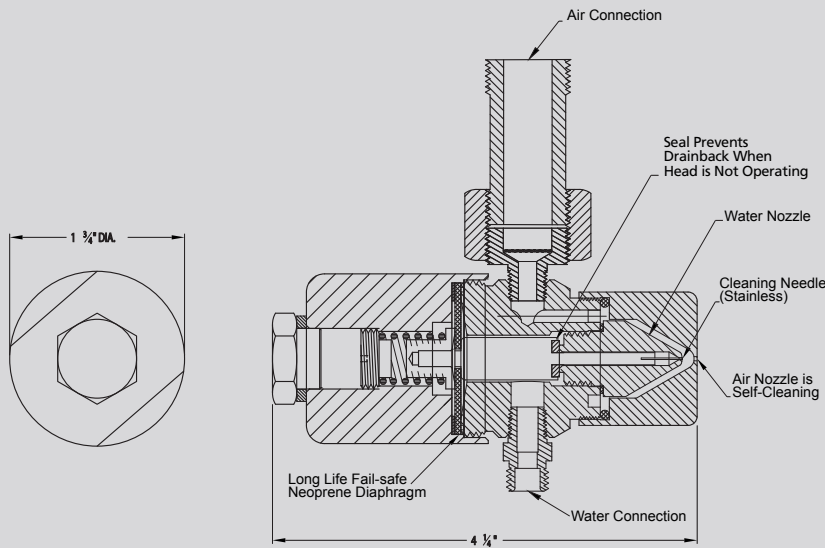
Features & Benefits:

- Clean-out Needle Equipped Nozzles
- Fully Automatic Operation
- Non-dripping Atomizing Heads
- Low Air Consumption
- Over Four Decades of Proven Performance
- Systems Available for Raw or DI/RO Water
- Ideal for Dirty Atmospheres
- Brass or Stainless Steel Construction
- 1-year warranty

PRODUCT DATA SHEET

General Specifications:

Part Number	Capacity	Air Pressure	Air Volume Required	Water Pressure	Air Connection	Water Connection	Construction
AH-940-1-6	6 lbs/hr	30 PSI	0.72 CFM	34.5 PSI	1/4" NPT	1/4" Compression	Brass
AH-940-1-8	8 lbs/hr	30 PSI	0.96 CFM	38 PSI	1/4" NPT	1/4" Compression	Brass
AH-940-1-10	10 lbs/hr	30 PSI	1.20 CFM	33 PSI	1/4" NPT	1/4" Compression	Brass
AH-940-1-12	12 lbs/hr	30 PSI	1.44 CFM	34.5 PSI	1/4" NPT	1/4" Compression	Brass
AH-940-1-15	15 lbs/hr	30 PSI	1.80 CFM	37 PSI	1/4" NPT	1/4" Compression	Brass
AH-940-2-6	6 lbs/hr	30 PSI	0.72 CFM	34.5 PSI	1/4" NPT	1/4" Compression	304 Stainless
AH-940-2-8	8 lbs/hr	30 PSI	0.96 CFM	38 PSI	1/4" NPT	1/4" Compression	304 Stainless
AH-940-2-10	10 lbs/hr	30 PSI	1.20 CFM	33 PSI	1/4" NPT	1/4" Compression	304 Stainless
AH-940-2-12	12 lbs/hr	30 PSI	1.44 CFM	34.5 PSI	1/4" NPT	1/4" Compression	304 Stainless
AH-940-2-15	15 lbs/hr	30 PSI	1.80 CFM	37 PSI	1/4" NPT	1/4" Compression	304 Stainless



Cross-section View

Indoor Air Quality Since 1947

ISO 9001:2015 Certified

Industry Membership:



Proudly Designed,
Engineered, and
Manufactured in the USA.*



*Manufactured with domestic and foreign components.

To help serve you better,
please contact us at:

800-884-0002 (tel)

800-458-2379 (fax)

TRION®

101 McNeill Road
Sanford, NC 27330

www.trioniaq.com

customerservice@trioniaq.com

TRION® is a registered trademark of Air System Components, Inc. Air System Components, Inc. is a subsidiary of Johnson Controls Inc. All product specifications reflect available information at the printing of this brochure. TRION® reserves the right to revise or modify products and/or specifications without notice. © 2018 TRION®