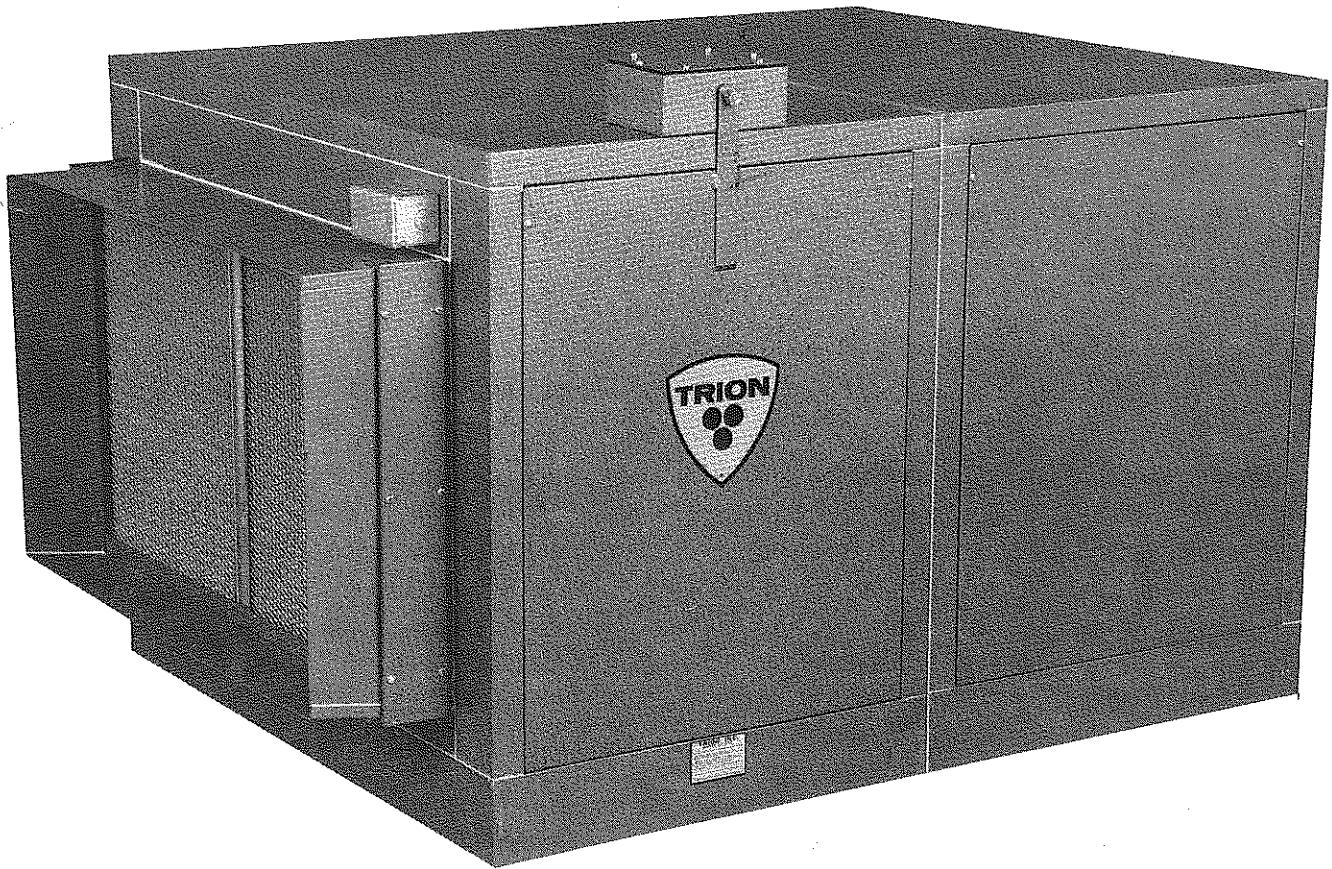




COMMERCIAL/INDUSTRIAL PRODUCTS

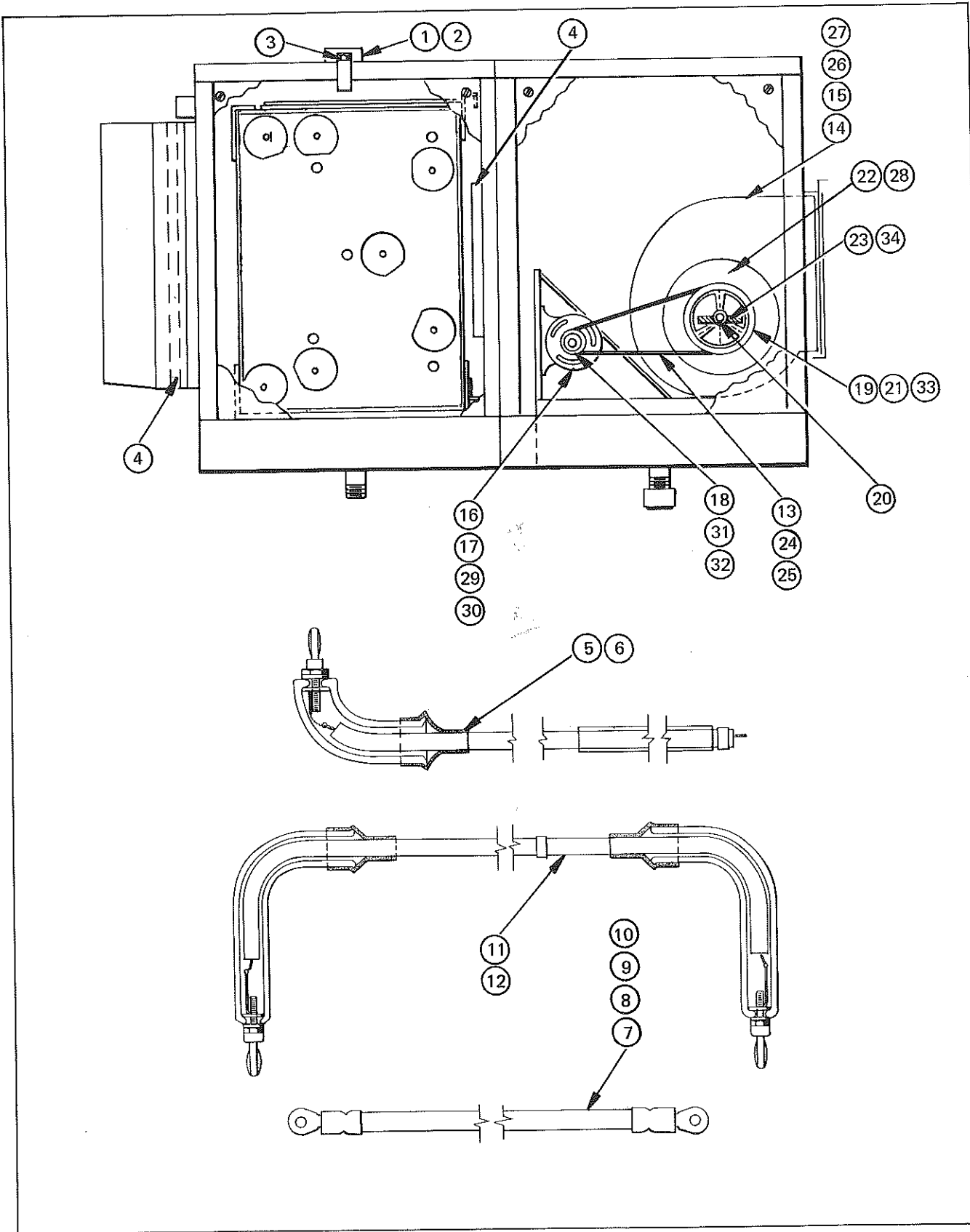
## PARTS LIST

OIL MIST PRECIPITATORS  
MODEL 18 SERIES



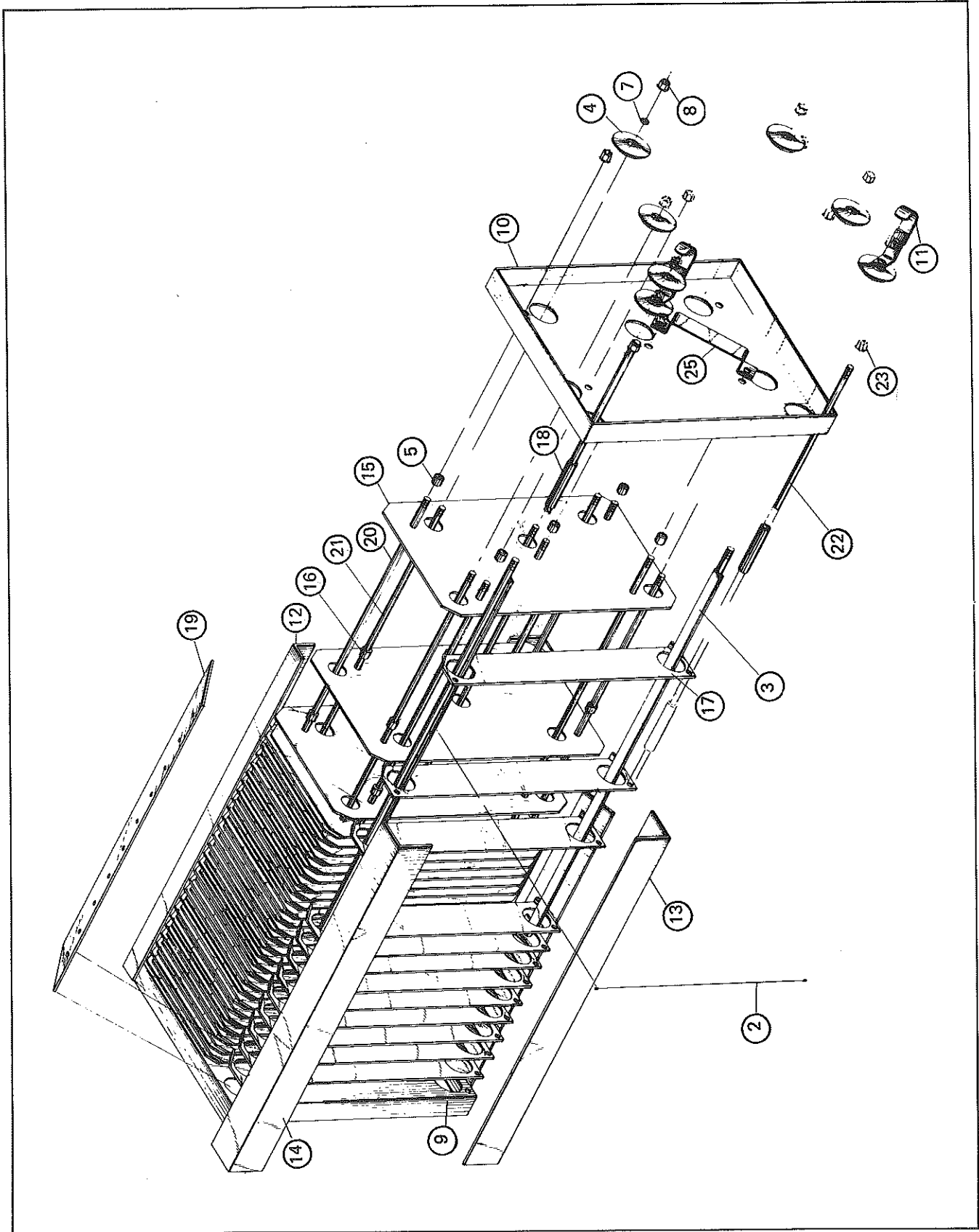
## CONTENTS

	Page
I. Precipitator Housing and Blower Section . . . . .	2-3
II. Current Ionizing-Collecting Cell . . . . .	4-5
III. Ionizing-Collecting Cell Manufactured Prior to July, 1974 . . . . .	5
IV. Current Power Pack, "08E", NEMA "12" . . . . .	6-7
V. Power Pack Manufactured Prior to August, 1980, "08E", NEMA "1" . . . . .	8-9
VI. Power Pack Manufactured Prior to December, 1974 "08C", NEMA "1", with Rectifier Tubes . . . . .	9



**I. PRECIPITATOR HOUSING SECTION**  
**Models 18-103-XX and 18-203-XX**

Key	Part Number	Part Description	Qty./Unit
1	330590-004	Safety Switch Assembly, Complete	1
2	130336-001	Safety Switch	1
3	121069-001	Safety Switch Screw	1
4	224925-001	Pre-Filter and After Filter Quantity per 103 Quantity per 203	4 8
5	223591-003	High Voltage Cable with Banana Plug Black, 25'	1
6	223592-003	High Voltage Cable with Banana Plug Blue, 25'	1
7	125392-007	High Voltage Cable Assembly with Ring Terminals, Black, 25'	1
8	125392-008	High Voltage Cable Assembly with Ring Terminal, Blue, 25'	1
9	125392-001	Cell to Cell Jumper with Ring Terminals Black	1/203
10	125392-002	Cell to Cell Jumper with Ring Terminals Blue	1/203
11	223609-001	Cell to Cell Jumper with Banana Plugs, Black	1/203
12	223608-001	Cell to Cell Jumper with Banana Plugs, Blue	1/203
<b>BLOWER SECTION</b> <b>Model 18 - 103 - 01</b>			
13	220926-032	V-Belt, 44" Pitch Length	1
14	429427-002	Fan, Size 7/8, Type DF	1
15	221621-002	Fan, Size 7/8, Type DF, Alternate For P.N. 429427-002	1
16	125578-001	Motor, 1 HP, 1800 RPM, Frame 182, 7/8" Shaft Diameter, 220/440V, 3PH	1
17	127285-002	Motor, 1½ HP, 1800 RPM, Frame 145T, 7/8" Shaft Diameter, 220/440V, 3PH	1
18	124053-006	Sheave, Motor, 7/8" Bore, Variable Pitch Diameter 3.4" to 4.4"	1
19	124053-008	Sheave, Blower, Variable Pitch Diameter 5.5" to 5.9" (Must use this Sheave with "H" Split Taper Bushing P.N. 228109-015)	1
20	228109-015	"H" Split Taper Bushing, 1" I.D.	1
21	109572	Sheave, Blower, 1" Bore, Variable Pitch Diameter 4.6" to 5.6"	1
22	229422-004	Fan Wheel 7/8 Type, DF	1
23	224423-001	Bearing, Pillow Block, (Fan Wheel)	2
<b>BLOWER SECTION</b> <b>Model 18 - 203 - 01</b>			
24	220926-043	V-Belt, 57" Pitch Length	1
25	220926-053	V-Belt, 65" Pitch Length	1
26	429427-003	Fan, 1 3/8, Type DF	1
27	221621-003	Fan, 1 3/8, Type DF (Alternate for P.N. 429427-003)	1
28	229422-005	Fan Wheel, 1 3/8, Type DF	1
29	106888	Motor, Type K, Frame 184, 2 HP 1800 RPM, 7/8 Shaft 220/440V 3 PH	1
30	127285-003	Motor, Frame 145T, 1800 RPM 7/8 Shaft 2 HP, 220/440V 3 PH	1
31	124053-006	Sheave, Motor, 7/8" Bore, Variable Pitch Diameter 3.4" to 4.4"	1
32	124053-007	Sheave, Motor, 7/8" Bore, Variable Pitch Diameter 2.4" to 3.4"	1
33	124053-009	Sheave, Blower, 1" Bore, 7" Pitch Diameter	1
34	224423-001	Bearings, Pillow Block, (Fan Wheel)	2



**II. IONIZING-COLLECTING CELL, CURRENT**  
Models 18-103-XX and 18-203-XX

Key	Part Number	Part Description	Qty./Cell
1	422733-018	Ionizing-Collecting Cell, Current Quantity of Cells Per Unit Model 18-102 1 Model 18-203 2  NOTE: The above cell replaces the obsolete cell P.N. 421263-007. Refer to the chart below for replacement parts to obsolete cell.	
2	220112-024	Ionizing Wire Assembly	13
3	321131-004	Ionizing Wire Support	2
4	225734-001	Insulator (Red) - Must be used with End Spacer P.N. 225546-016	14
	122732-001	Insulator (White) - Must be used with End Spacer 225546-019 and "O" ring P.N. 122809-001	14
5	225546-016	End Spacer - Must be used with Red Insulator P.N. 225734-001	14
	225546-019	End Spacer - Must be used with White Insulator P.N. 122732-001	14
6	122809-001	"O" Ring Not Shown - Must be used with White Insulator P.N. 122732-001 (Not used with red insulator P.N. 225734-001)	14
7	120456-007	Washer, Nylon 3/8" I.D.	14
8	121800-014	Nut/Lockwasher 3/8" - 16	24
9	422757-001	End Plate, Right Hand	1
10	422757-002	End Plate, Left Hand	1
11	227312-001	Contact/Bracket Assembly	4
12	222758-002	Back Brace	2
13	227316-004	Top Front Brace	1
14	227316-002	Bottom Front Brace	1
15	222780-001	Collector Plate (High Voltage and Ground)	81
16	225546-041	Spacer, Cell Core	405
17	222777-001	Ionizer Ground Electrode	12
18	220107-098	Spacer, Ionizer Ground Electrode	52
19	222772-002	Top Frame Ionizer Ground Electrode	2
20	222785-004	Tie Rod (Used with High Voltage Contact-P.N. 227312-001) 3/8" O.D.	1
21	222785-010	Tie Rod 3/8" O.D.	9
22	222794-002	Tie Rod 1/4" O.D.	2
23	121800-008	Nut/Lock Washer, 1/4" - 20	4
24	120591-002	Rivet, Stainless Steel, Not Shown	30
25	225255-001	Handle	2

NOTE: HIGH VOLTAGE CABLE IS LISTED IN SECTION I.

**III. IONIZING-COLLECTING CELL**  
Units Manufactured Prior to July 1974  
Models 18-103-XX and 18-203-XX

Part Number	Part Description	Qty./Unit
421263-007	Ionizing-Collecting Cell (Obsolete - Must be replaced with P.N. 422733-018)	
221366-002	Ionizing Wire Assembly	
221441-090	Insulator, 2" x 3/4"	

IV. POWER PACK, TYPE "08E" NEMA "12" ENCLOSURE, CURRENT  
Models 18-103-XX and 18-203-XX

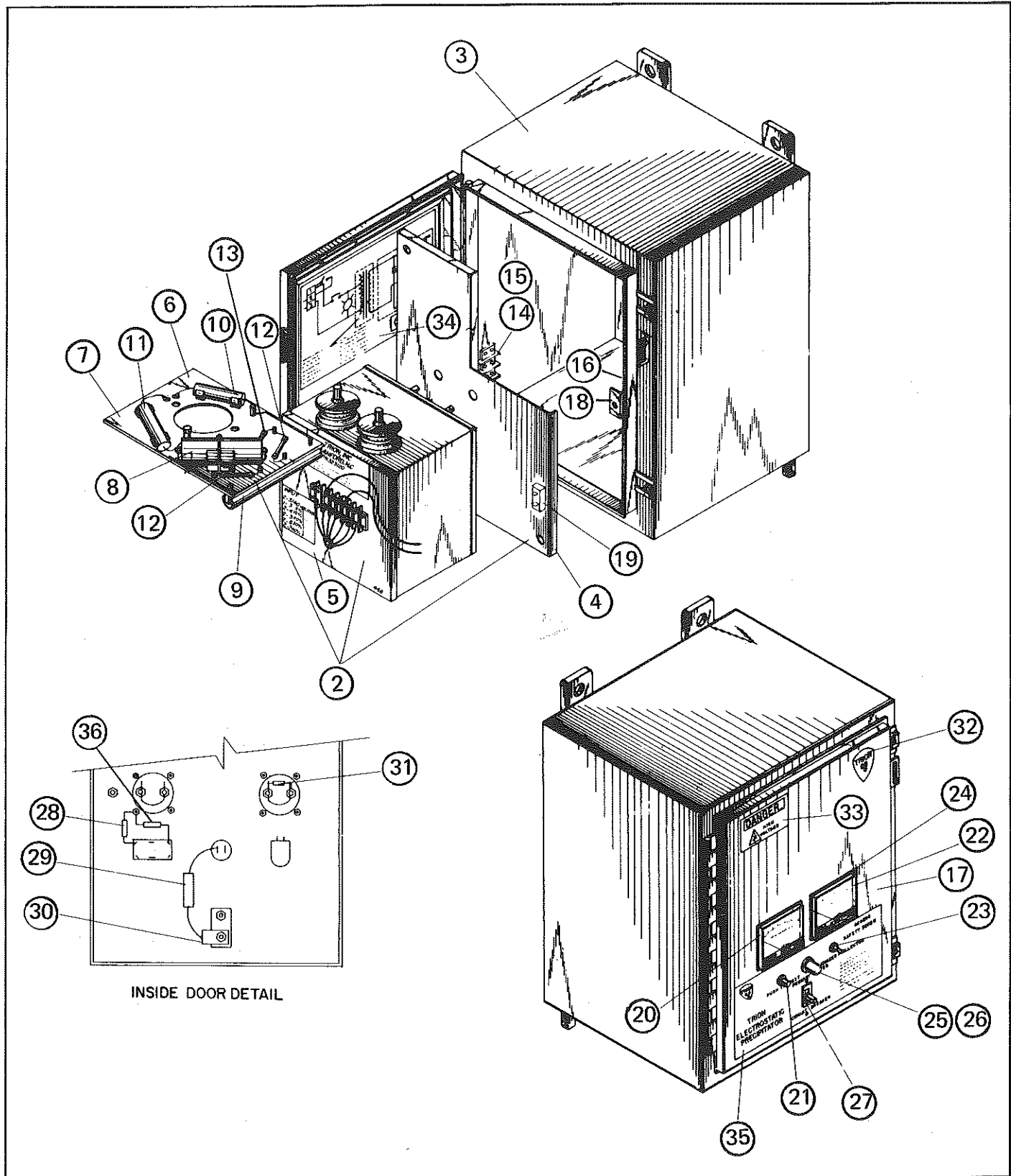
334243-001

235424-001

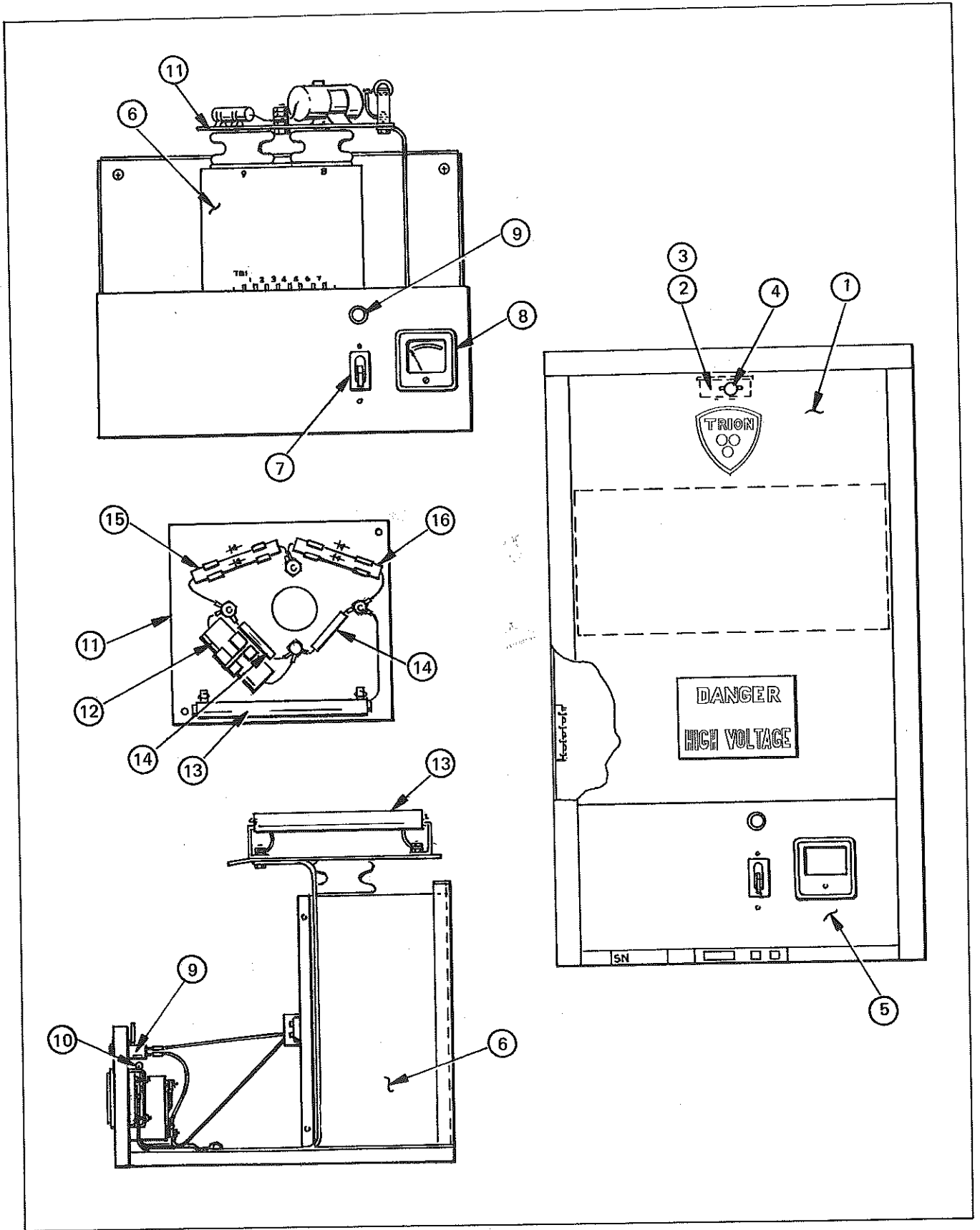
235425-001

Key	Part Number	Part Description	Qty./Unit
1	429492-001 <sup>af</sup>	Power Pack Assembly, Complete (Includes Keys 2 thru 35)	1
2	429475-001	Chassis Assembly, Complete (Includes Keys 4, 5, 6, & 19)	1
3	430659-001	Enclosure, Nema 12 (Housing Only)	1
4	325387-001	Chassis Panel Plate	1
5	427051-001	High Voltage Transformer	1
<del>6</del>	<del>325454-001</del>	Secondary Component Board Assembly, Complete (Includes Keys 7 thru 13)	1
7	222865-001	Insulation Board	1
8	122871-001	Capacitor Assembly, 10 KVDC, .03 MFD	1
9	221347-025	Resistor, 20K, 100W	1
10	223039-001	Rectifier Assembly, 350 MA, 30KVDC	1
11	223039-002	Rectifier Assembly, 350 MA, 30KVDC	1
12	225352-001	Resistor Assembly, 100 MEG, 2W, 10KVDC	2
13	225352-002	Resistor Assembly, 100 MEG, 2W, 10KVDC	2
14	221442-003	Terminal Board	1
15	221443-003	Marker Strip	1
16	120313-001	Access Door Electrical Interlock Switch	1
17	131515-001	Safety Screw	1
18	225294-001	Bracket Assembly, Safety Switch	1
19	228748-013	Thermal Circuit Breaker, 2AMP	1
20	<del>230049-001</del>	MA Meter	1
21	120369-003	Push Switch	1
22	<del>230057-001</del>	KV Meter	1
23	120370-004	Toggle Switch	1
25	123463-003	Lamp Holder	1
26	121576-002	Lamp	1
27	230495-005	Magnetic Circuit Breaker 3.5 AMP	1
28	129499-003	Resistor Assembly, 100K, 1W	2
29	220930-099	Resistor, 33K, 1W	1
30	128434-001	Resistor Mounting Bracket	1
31	220930-103	Resistor, 47K, 1W	1
32	220404-001	Trion Shield	1
33	121390-001	Warning Label	1
34	229030-001	Label, Wiring Schematic	1
35	325819-001	Label	1
Not Shown	121117-003	High Voltage Lead, Blue, (Per foot)	As Req.
Not Shown	121117-001	High Voltage Lead, Black, (Per foot)	As Req.
36	129499-002	Resistor Assembly, 1 MEG, 1W	1

NOTE: HIGH VOLTAGE CABLE IS LISTED IN SECTION I.







V. POWER PACK, TYPE "08E", NEMA "1" ENCLOSURE

Units Manufactured Prior to August 1980  
Models 18-103-XX and Model 18-203-XX

Key	Part Number	Part Description	Qty./Unit
1	422177-001	Power Pack Assembly, Complete, 2A *	1
2	120296-001	Safety Switch	1
3	220588-001	Activator, Safety Switch	1
4	121069-001	Safety Switch Screw	1
5	422876-001	Chassis Assembly (Includes Keys 6 thru 16) **	1
6	427051-001	High Voltage Transformer	1
7	220103-003	Circuit Breaker, 2 AMP	1
8	221530-004	Milliammeter 0-10 MA	1
9	322303-015	Pilot Lamp, Amber	1
10	123121-001	Resistor Assembly, Meter Shunt	1
11	324024-002/1	Secondary Component Board (Includes Keys 12 thru 16)	1
12	122871-001	Capacitor Assembly	1
13	221347-025	Resistor, 20K Ohm	1
14	123041-001	Resistor Assembly 200 MEG Ohm	1
15	223039-001	Rectifier Assembly, 2 3/4" Lead on Cathode Side of Rectifier	1
16	223039-002	Rectifier Assembly, 1 3/4" Lead on Cathode Side of Rectifier	1

\* This power pack assembly is no longer available. The replacement power pack assembly (Nema "12") P.N. is 429492-001.

\*\* This chassis assembly is no longer available. The replacement is power pack assembly (Nema "12") P.N. is 429492-001.

VI. 08C POWER PACK WITH RECTIFIER TUBES

Units Manufactured Prior to December 1974  
Models 18-103-XX and 18-203-XX

Part Number	Part Description	Qty./Unit
422126-006	08C Power Pack Assembly is no longer available. Must be replaced with 08E Power Pack P.N. 429492-001	
221513-001	Pilot Light Socket	1
121512-001	Pilot Light Bulb	1
321433-001	Transformer no longer available. Must be replaced with solid state conversion kit P.N. 328126-001	
231464-006	Capacitor .01 MFD 10 KVDC	1
121447-001	Rectifier Tube	2
221448-023	Resistor 5000 Ohm	1
221530-004	MA.meter 0-10 MA scale	1
220103-004	Circuit Breaker 3.5 AMP	1
220103-003	Circuit Breaker 2.0 AMP	1
328126-001	Solid State Conversion Kit	1



## **TRION, INC.**

McNEILL ROAD · P.O. BOX 760 · SANFORD, NORTH CAROLINA 27330  
PHONE: (919) 775-2201 · TWX: (510) 920-0675

## **TRION LTD.**

BRUNEL GATE, WEST PORTWAY INDUSTRIAL ESTATE  
ANDOVER, HAMPSHIRE, ENGLAND  
TELEX 47265, PHONE ANDOVER (0264) 64622