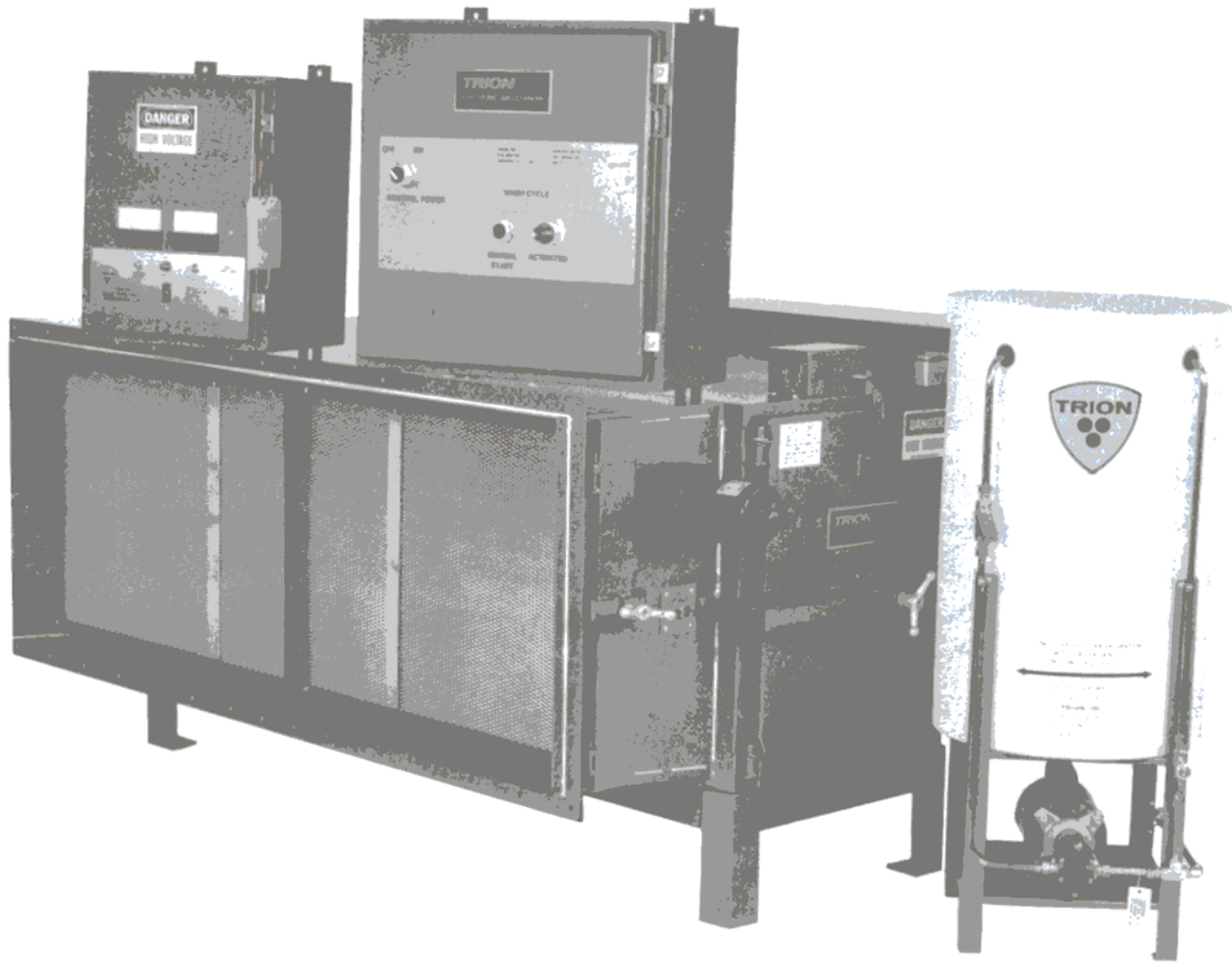


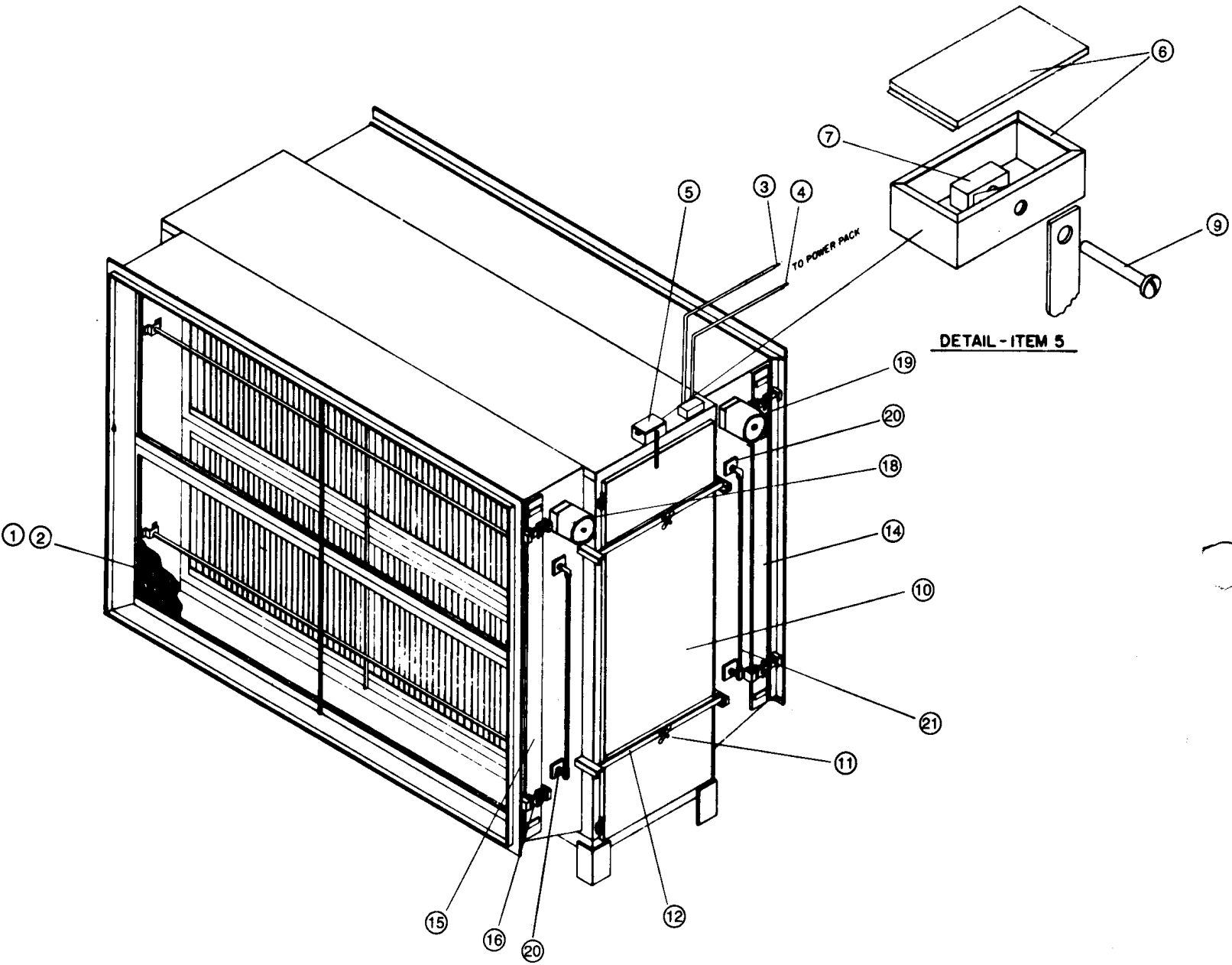
Model 71 Series

Parts List



Engineered Products
Custom Packaged Equipment

TRION[®]



CABINET

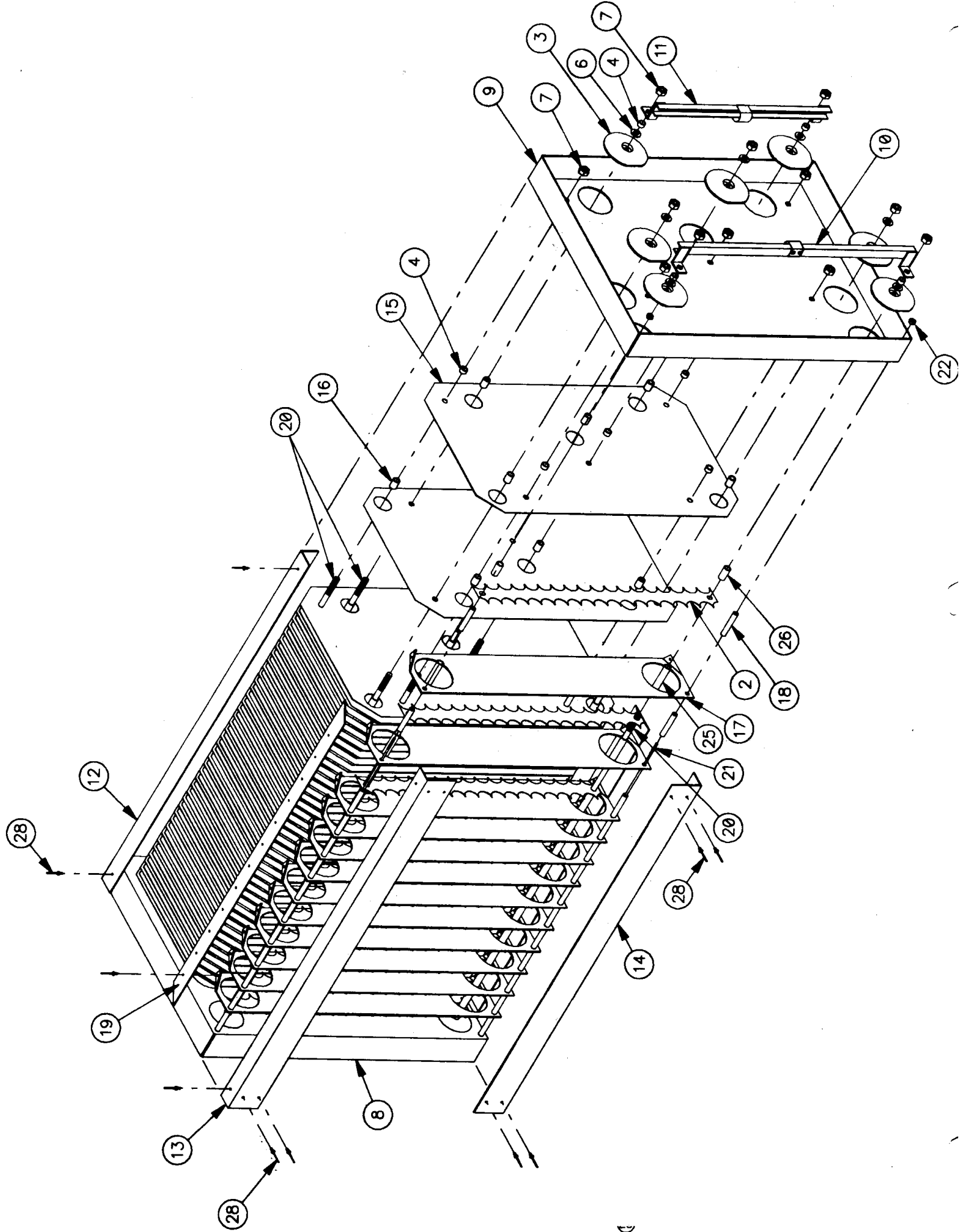
427100-124

CABINET

| KEY | PART NUMBER | PART DESCRIPTION | QTY./UNIT |
|-----|-------------|---|-----------|
| 1 | 322031-001 | Pre & After Metal Mesh Filter for Unit <u>Models Ending in -01, -02, -03 & -04</u> Dimensions: 16 ⁹ / ₁₆ " X 23" X 1 ⁵ / ₁₆ " | |
| 1 | 322031-002 | Dimensions: 21 ⁷ / ₈ " X 23" X 1 ⁵ / ₁₆ " Quantity of Mesh Filter Per Unit <u>Unit Model No.</u> <u>322031-001</u> <u>322031-002</u> | |
| | | 71-102-XX | 2 |
| | | 71-103-XX | 4 |
| | | 71-104-XX | 4 |
| | | 71-105-XX | 2 |
| | | 71-106-XX | 6 |
| | | 71-107-XX | 4 |
| | | 71-108-XX | 8 |
| | | 71-109-XX | 6 |
| | | 71-203-XX | 8 |
| | | 71-204-XX | 8 |
| | | 71-205-XX | 4 |
| | | 71-206-XX | 12 |
| | | 71-207-XX | 8 |
| | | 71-208-XX | 16 |
| | | 71-209-XX | 12 |
| | | 71-303-XX | 12 |
| | | 71-304-XX | 12 |
| | | 71-305-XX | 6 |
| | | 71-306-XX | 18 |
| | | 71-307-XX | 12 |
| | | 71-308-XX | 24 |
| | | 71-309-XX | 18 |
| 2 | 225822-002 | Pre & After Perforated Plate for Unit <u>Models Ending in -01, -02, -03 & -04</u> Dimensions (40% OPEN) 21 ¹³ / ₁₆ " X 22 ¹⁵ / ₁₆ " X 7 ⁷ / ₈ " | |
| 2 | 225822-003 | Dimensions (40% OPEN) 33 ¹ / ₁₆ " X 22 ¹⁵ / ₁₆ " X 7 ⁷ / ₈ " Quantity of Perforated Plate Per Unit <u>Unit Model No.</u> <u>225822-002</u> <u>225822-003</u> | |
| | | 71-102-XX | 2 |
| | | 71-103-XX | 2 |
| | | 71-104-XX | 4 |
| | | 71-105-XX | 2 |
| | | 71-106-XX | 4 |
| | | 71-107-XX | 4 |
| | | 71-108-XX | 2 |
| | | 71-109-XX | 6 |
| | | 71-203-XX | 4 |
| | | 71-204-XX | 8 |
| | | 71-205-XX | 4 |
| | | 71-206-XX | 8 |
| | | 71-207-XX | 4 |
| | | 71-208-XX | 8 |
| | | 71-209-XX | 12 |
| | | 71-303-XX | 6 |
| | | 71-304-XX | 12 |
| | | 71-305-XX | 6 |
| | | 71-306-XX | 12 |
| | | 71-307-XX | 6 |
| | | 71-308-XX | 12 |
| | | 71-309-XX | 18 |

CABINET CONTINUED

| KEY | PART NUMBER | PART DESCRIPTION | QTY./UNIT |
|-----|-------------|---|-------------|
| 3 | 121117-003 | High Voltage Cable, Blue, (Per Foot) | As Req. |
| 4 | 121117-001 | High Voltage Cable, Black, (Per Foot) | As Req. |
| 5 | 335485-001 | Access Door Electrical Interlock Assembly (Includes Items 6 Thru 8) | 1 |
| 6 | 335472-001 | Electrical Interlock Box | 1 |
| 7 | 235484-001 | Electrical Interlock Switch | 1 |
| 8 | 121115-001 | Insulation (Not Shown) | 2 |
| 9 | 235448-003 | Access Door Interlock Screw Assembly | 1 |
| 10 | | Access Door Assemblies (Assemblies Include Items 11 Thru 13) | |
| | 327131-001 | 71-102-XX Thru 71-109-XX | 1 |
| | 327131-002 | 71-203-XX Thru 71-209-XX | 1 |
| | 327131-003 | 71-303-XX Thru 71-309-XX | 1 |
| 11 | 126926-001 | Access Door Handle | As Req. |
| 12 | 327025-001 | Access Door Angle Bar | As Req. |
| 13 | 220062-155 | Access Door Gasket $\frac{3}{4}$ " \times $\frac{5}{8}$ " (Not Shown) | As Req. |
| | | Filter Access Door Assemblies (Assemblies Include Items 11, 16, and 17) | |
| 14 | | Filter Access Door Assemblies—Right Hand | |
| | 327114-001 | Models 71-102-XX Thru 71-109-XX | 1 |
| | 327114-002 | Models 71-203-XX Thru 71-209-XX | 1 |
| | 327114-003 | Models 71-303-XX Thru 71-309-XX | 1 |
| 15 | | Filter Access Door Assemblies—Left Hand | |
| | 327114-004 | Models 71-102-XX Thru 71-109-XX | 1 |
| | 327114-005 | Models 71-203-XX Thru 71-209-XX | 1 |
| | 327114-006 | Models 71-303-XX Thru 71-309-XX | 1 |
| 16 | 126921-001 | Filter Access Door Latching Bar | 4 |
| 17 | 224779-005 | Filter Access Door Gasket (Not Shown) | 2 |
| 18 | 229508-001 | Manifold Drive Motor Assembly (Clockwise Rotation) | 1 |
| 19 | 229508-002 | Manifold Drive Motor Assembly (Counter Clockwise Rotation) | 1 |
| 20 | 123576-001 | Swivel Assembly 71-102-XX Thru 71-109-XX 71-203-XX Thru 71-209-XX 71-303-XX Thru 71-309-XX | 2 4 6 |
| 21 | | Header Assembly | |
| | 128632-001 | 71-203-XX Thru 71-209-XX | 2 |
| | 129632-002 | 71-303-XX Thru 71-309-XX | 2 |



IONIZING-COLLECTING CELL

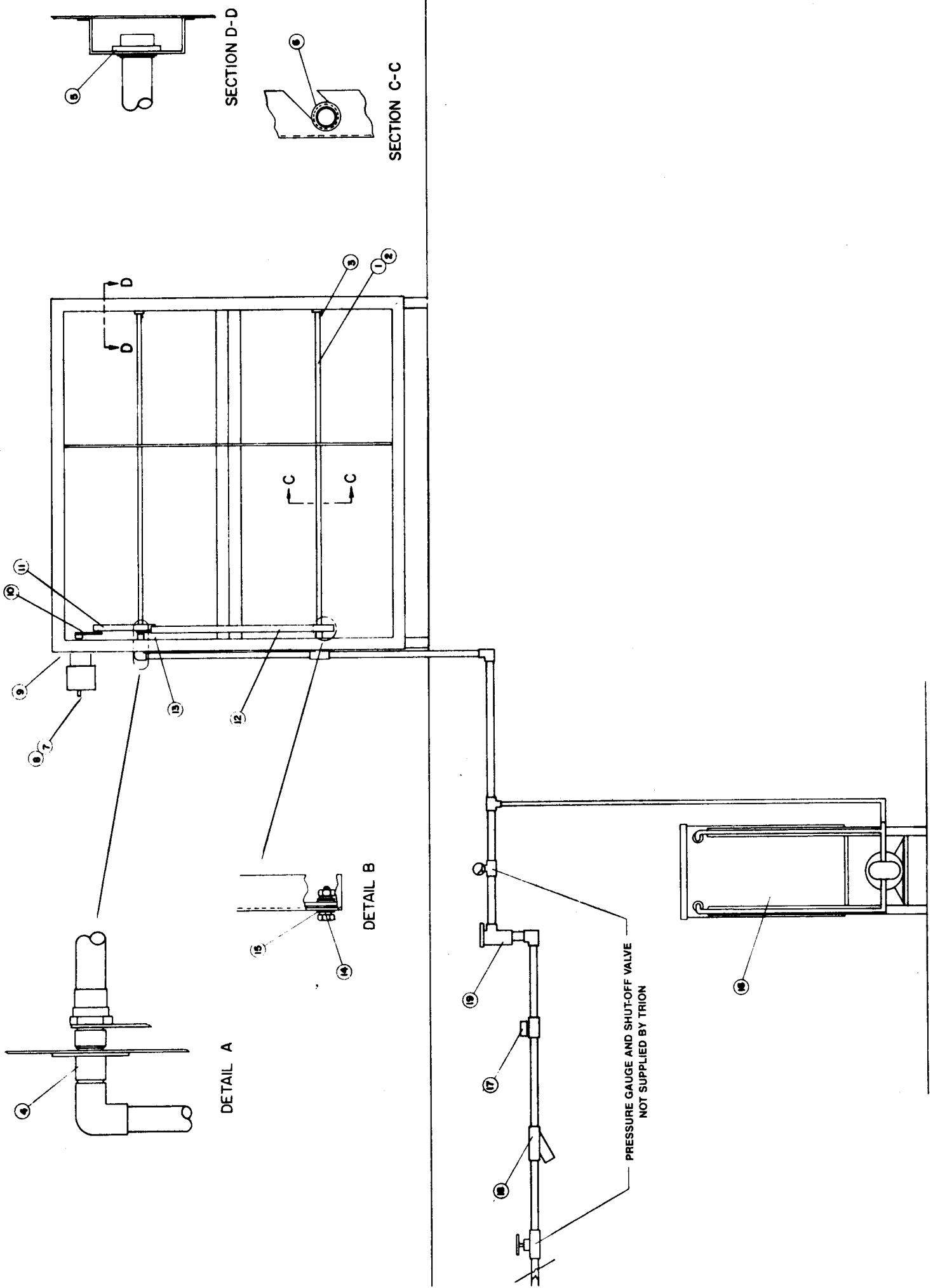
IONIZING-COLLECTING CELL

| KEY | PART NUMBER | PART DESCRIPTION | QTY./CELL | | | | | | | | | | | | | | | | | | | | | | | | | | | | | | | | | | | | | | | | | | | | | | | | | | | | | | | | | | | | | | | | | | | | | |
|----------------|--|---|----------------|-------------|-------------|-----------|---|---|-----------|---|---|-----------|---|---|-----------|---|---|-----------|---|---|-----------|---|---|-----------|---|---|-----------|---|---|-----------|---|---|-----------|---|---|-----------|---|---|-----------|---|---|-----------|---|---|-----------|---|---|-----------|---|---|-----------|---|---|-----------|---|---|-----------|---|---|-----------|---|---|-----------|---|---|-----------|---|---|-----------|---|---|--|
| 1 | 422733-524 422733-525 422733-533 422733-534 | Ionizing-Collecting Cell Assembly 2 ft. Cell Assembly, Red Insulators 3 ft. Cell Assembly, Red Insulators 2 ft. Cell Assembly, White Insulators 3 ft. Cell Assembly, White Insulators Quantity of Cells Per Unit <table border="1"> <thead> <tr> <th>Unit Model No.</th> <th>2 ft. Cells</th> <th>3 ft. Cells</th> </tr> </thead> <tbody> <tr><td>71-102-XX</td><td>1</td><td>—</td></tr> <tr><td>71-103-XX</td><td>—</td><td>1</td></tr> <tr><td>71-104-XX</td><td>2</td><td>—</td></tr> <tr><td>71-105-XX</td><td>1</td><td>1</td></tr> <tr><td>71-106-XX</td><td>—</td><td>2</td></tr> <tr><td>71-107-XX</td><td>2</td><td>1</td></tr> <tr><td>71-108-XX</td><td>1</td><td>2</td></tr> <tr><td>71-109-XX</td><td>—</td><td>3</td></tr> <tr><td>71-203-XX</td><td>—</td><td>2</td></tr> <tr><td>71-204-XX</td><td>4</td><td>—</td></tr> <tr><td>71-205-XX</td><td>2</td><td>2</td></tr> <tr><td>71-206-XX</td><td>—</td><td>4</td></tr> <tr><td>71-207-XX</td><td>4</td><td>2</td></tr> <tr><td>71-208-XX</td><td>2</td><td>4</td></tr> <tr><td>71-209-XX</td><td>—</td><td>6</td></tr> <tr><td>71-303-XX</td><td>—</td><td>3</td></tr> <tr><td>71-304-XX</td><td>6</td><td>—</td></tr> <tr><td>71-305-XX</td><td>3</td><td>3</td></tr> <tr><td>71-306-XX</td><td>—</td><td>6</td></tr> <tr><td>71-307-XX</td><td>6</td><td>3</td></tr> <tr><td>71-308-XX</td><td>4</td><td>6</td></tr> <tr><td>71-309-XX</td><td>—</td><td>9</td></tr> </tbody> </table> | Unit Model No. | 2 ft. Cells | 3 ft. Cells | 71-102-XX | 1 | — | 71-103-XX | — | 1 | 71-104-XX | 2 | — | 71-105-XX | 1 | 1 | 71-106-XX | — | 2 | 71-107-XX | 2 | 1 | 71-108-XX | 1 | 2 | 71-109-XX | — | 3 | 71-203-XX | — | 2 | 71-204-XX | 4 | — | 71-205-XX | 2 | 2 | 71-206-XX | — | 4 | 71-207-XX | 4 | 2 | 71-208-XX | 2 | 4 | 71-209-XX | — | 6 | 71-303-XX | — | 3 | 71-304-XX | 6 | — | 71-305-XX | 3 | 3 | 71-306-XX | — | 6 | 71-307-XX | 6 | 3 | 71-308-XX | 4 | 6 | 71-309-XX | — | 9 | |
| Unit Model No. | 2 ft. Cells | 3 ft. Cells | | | | | | | | | | | | | | | | | | | | | | | | | | | | | | | | | | | | | | | | | | | | | | | | | | | | | | | | | | | | | | | | | | | | | | |
| 71-102-XX | 1 | — | | | | | | | | | | | | | | | | | | | | | | | | | | | | | | | | | | | | | | | | | | | | | | | | | | | | | | | | | | | | | | | | | | | | | | |
| 71-103-XX | — | 1 | | | | | | | | | | | | | | | | | | | | | | | | | | | | | | | | | | | | | | | | | | | | | | | | | | | | | | | | | | | | | | | | | | | | | | |
| 71-104-XX | 2 | — | | | | | | | | | | | | | | | | | | | | | | | | | | | | | | | | | | | | | | | | | | | | | | | | | | | | | | | | | | | | | | | | | | | | | | |
| 71-105-XX | 1 | 1 | | | | | | | | | | | | | | | | | | | | | | | | | | | | | | | | | | | | | | | | | | | | | | | | | | | | | | | | | | | | | | | | | | | | | | |
| 71-106-XX | — | 2 | | | | | | | | | | | | | | | | | | | | | | | | | | | | | | | | | | | | | | | | | | | | | | | | | | | | | | | | | | | | | | | | | | | | | | |
| 71-107-XX | 2 | 1 | | | | | | | | | | | | | | | | | | | | | | | | | | | | | | | | | | | | | | | | | | | | | | | | | | | | | | | | | | | | | | | | | | | | | | |
| 71-108-XX | 1 | 2 | | | | | | | | | | | | | | | | | | | | | | | | | | | | | | | | | | | | | | | | | | | | | | | | | | | | | | | | | | | | | | | | | | | | | | |
| 71-109-XX | — | 3 | | | | | | | | | | | | | | | | | | | | | | | | | | | | | | | | | | | | | | | | | | | | | | | | | | | | | | | | | | | | | | | | | | | | | | |
| 71-203-XX | — | 2 | | | | | | | | | | | | | | | | | | | | | | | | | | | | | | | | | | | | | | | | | | | | | | | | | | | | | | | | | | | | | | | | | | | | | | |
| 71-204-XX | 4 | — | | | | | | | | | | | | | | | | | | | | | | | | | | | | | | | | | | | | | | | | | | | | | | | | | | | | | | | | | | | | | | | | | | | | | | |
| 71-205-XX | 2 | 2 | | | | | | | | | | | | | | | | | | | | | | | | | | | | | | | | | | | | | | | | | | | | | | | | | | | | | | | | | | | | | | | | | | | | | | |
| 71-206-XX | — | 4 | | | | | | | | | | | | | | | | | | | | | | | | | | | | | | | | | | | | | | | | | | | | | | | | | | | | | | | | | | | | | | | | | | | | | | |
| 71-207-XX | 4 | 2 | | | | | | | | | | | | | | | | | | | | | | | | | | | | | | | | | | | | | | | | | | | | | | | | | | | | | | | | | | | | | | | | | | | | | | |
| 71-208-XX | 2 | 4 | | | | | | | | | | | | | | | | | | | | | | | | | | | | | | | | | | | | | | | | | | | | | | | | | | | | | | | | | | | | | | | | | | | | | | |
| 71-209-XX | — | 6 | | | | | | | | | | | | | | | | | | | | | | | | | | | | | | | | | | | | | | | | | | | | | | | | | | | | | | | | | | | | | | | | | | | | | | |
| 71-303-XX | — | 3 | | | | | | | | | | | | | | | | | | | | | | | | | | | | | | | | | | | | | | | | | | | | | | | | | | | | | | | | | | | | | | | | | | | | | | |
| 71-304-XX | 6 | — | | | | | | | | | | | | | | | | | | | | | | | | | | | | | | | | | | | | | | | | | | | | | | | | | | | | | | | | | | | | | | | | | | | | | | |
| 71-305-XX | 3 | 3 | | | | | | | | | | | | | | | | | | | | | | | | | | | | | | | | | | | | | | | | | | | | | | | | | | | | | | | | | | | | | | | | | | | | | | |
| 71-306-XX | — | 6 | | | | | | | | | | | | | | | | | | | | | | | | | | | | | | | | | | | | | | | | | | | | | | | | | | | | | | | | | | | | | | | | | | | | | | |
| 71-307-XX | 6 | 3 | | | | | | | | | | | | | | | | | | | | | | | | | | | | | | | | | | | | | | | | | | | | | | | | | | | | | | | | | | | | | | | | | | | | | | |
| 71-308-XX | 4 | 6 | | | | | | | | | | | | | | | | | | | | | | | | | | | | | | | | | | | | | | | | | | | | | | | | | | | | | | | | | | | | | | | | | | | | | | |
| 71-309-XX | — | 9 | | | | | | | | | | | | | | | | | | | | | | | | | | | | | | | | | | | | | | | | | | | | | | | | | | | | | | | | | | | | | | | | | | | | | | |
| 2 | 340671-001 | Spiked Ionizer Blade 2 ft. Cell 3 ft. Cell | 8 13 | | | | | | | | | | | | | | | | | | | | | | | | | | | | | | | | | | | | | | | | | | | | | | | | | | | | | | | | | | | | | | | | | | | | | |
| 3 | 225734-001 122732-001 | INSULATORS Insulator (Red) — Must be used with End Spacer P.N. 225546-016 Insulator (White) — Must be used with End Spacer P.N. 225546-019 and "O" Ring P.N. 122809-001 | 14 14 | | | | | | | | | | | | | | | | | | | | | | | | | | | | | | | | | | | | | | | | | | | | | | | | | | | | | | | | | | | | | | | | | | | | | |
| 4 | 225546-016 225546-019 | END SPACERS End Spacer — Must be used with red Insulator P.N. 225734-001 End Spacer — Must be used with white Insulator P.N. 122732-001 | 10 10 | | | | | | | | | | | | | | | | | | | | | | | | | | | | | | | | | | | | | | | | | | | | | | | | | | | | | | | | | | | | | | | | | | | | | |
| 5 | 122809-001 | "O" Ring Not Shown — Must be used with white Insulator P.N. 122732-001 (NOT Used with Red Insulator P.N. 225734-001 | 14 | | | | | | | | | | | | | | | | | | | | | | | | | | | | | | | | | | | | | | | | | | | | | | | | | | | | | | | | | | | | | | | | | | | | | |
| 6 | 120456-007 | Washer, Nylon 3/8" | 14 | | | | | | | | | | | | | | | | | | | | | | | | | | | | | | | | | | | | | | | | | | | | | | | | | | | | | | | | | | | | | | | | | | | | | |
| 7 | 121800-014 | Nut/Lockwasher, External Tooth, 3/8-16 End Plates | 24 | | | | | | | | | | | | | | | | | | | | | | | | | | | | | | | | | | | | | | | | | | | | | | | | | | | | | | | | | | | | | | | | | | | | | |
| 8 | 422757-001 | End Plate, Right Hand | 1 | | | | | | | | | | | | | | | | | | | | | | | | | | | | | | | | | | | | | | | | | | | | | | | | | | | | | | | | | | | | | | | | | | | | | |
| 9 | 422757-002 | End Plate, Left Hand | 1 | | | | | | | | | | | | | | | | | | | | | | | | | | | | | | | | | | | | | | | | | | | | | | | | | | | | | | | | | | | | | | | | | | | | | |
| 10 | 328443-006 | Contact/Bracket Assembly, Ionizer | 2 | | | | | | | | | | | | | | | | | | | | | | | | | | | | | | | | | | | | | | | | | | | | | | | | | | | | | | | | | | | | | | | | | | | | | |
| 11 | 328443-007 | Contact/Bracket Assembly, Collector | 2 | | | | | | | | | | | | | | | | | | | | | | | | | | | | | | | | | | | | | | | | | | | | | | | | | | | | | | | | | | | | | | | | | | | | | |
| 12 | 222758-001 222758-002 | Back Braces 2 ft. Cell 3 ft. Cell | 2 2 | | | | | | | | | | | | | | | | | | | | | | | | | | | | | | | | | | | | | | | | | | | | | | | | | | | | | | | | | | | | | | | | | | | | | |
| 13 | 227316-003 227316-004 | Top Front Braces 2 ft. Cell 3 ft. Cell | 1 1 | | | | | | | | | | | | | | | | | | | | | | | | | | | | | | | | | | | | | | | | | | | | | | | | | | | | | | | | | | | | | | | | | | | | | |

IONIZING-COLLECTING CELL CONTINUED

| KEY | PART NUMBER | PART DESCRIPTION | QTY./CELL |
|-----|-------------|--|------------|
| 14 | 227316-001 | Bottom Front Braces 2 ft. Cell | 1 |
| | 227316-002 | 3 ft. Cell | 1 |
| 15 | 222780-001 | Collector Plate (High Voltage & Ground) 2 ft. Cell 3 ft. Cell | 49 81 |
| 16 | 225546-041 | Spacer — Cell Core 2 ft. Cell 3 ft. Cell | 245 405 |
| 17 | 222777-001 | Ionizer Ground Electrode 2 ft. Cell 3 ft. Cell | 7 12 |
| 18 | 220107-098 | Spacer — Ionizer Ground Electrode 2 ft. Cell 3 ft. Cell | 16 26 |
| 19 | 222772-001 | Top Frame — Ionizer Ground Electrode 2 ft. Cell | 2 |
| | 222772-002 | 3 ft. Cell | 2 |
| 20 | | TIE RODS Tie Rod — Hot Plates Thru Collector Contact $\frac{3}{8}$ " | |
| | 222785-002 | 2 ft. Cell | 12 |
| | 222785-004 | 3 ft. Cell | 12 |
| 21 | | Tie Rod — Ionizer Ground Electrode — $\frac{1}{4}$ " O.D. | |
| | 222794-035 | 2 ft. Cell | 2 |
| | 222794-002 | 3 ft. Cell | 2 |
| 22 | 121800-008 | Nut/Lockwasher — External Tooth $\frac{1}{4}$ "-20 | 4 |
| 23 | 222781-048 | End Spacer — Spiked Ionizer Blade (Not Shown) 2 ft. Cell 3 ft. Cell | 14 24 |
| 24 | 222781-049 | End Spacer — Spiked Ionizer Blade (Not Shown) | 4 |
| 25 | 222781-048 | Spacer - $\frac{1}{2}$ " O.D. x .049" x 2.184" 2 ft/ Cell 3 ft. Cell | 14 24 |
| 26 | 222781-049 | Spacer - $\frac{1}{2}$ " O.D. x .049" x .990" | |

WATER WASH SYSTEM

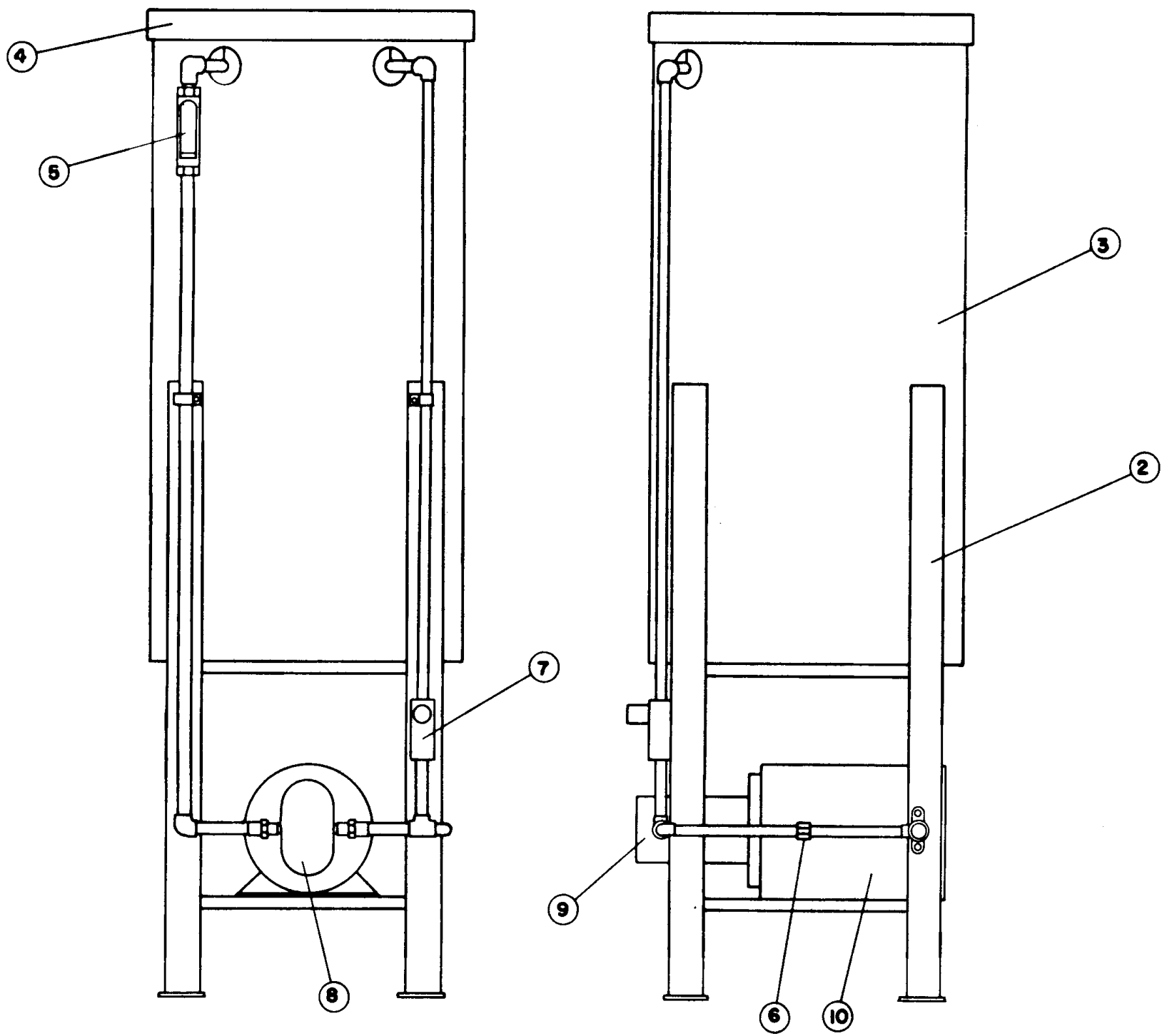


WATERWASH SYSTEM

| KEY | PART NUMBER | PART DESCRIPTION | QTY./UNIT |
|------------|-----------------|--|-----------|
| 1 | | Manifold Assembly | |
| | 325963-001 | 71-102-02 & -04 | 2 |
| | 326963-002 | 71-103-02 & -04 | 2 |
| | 326963-003 | 71-104-02 & -04 | 2 |
| | 326963-004 | 71-105-02 & -04 | 2 |
| | 326963-005 | 71-106-02 & -04 | 2 |
| | 326963-006 | 71-107-02 & -04 | 2 |
| | 326963-007 | 71-108-02 & -04 | 2 |
| | 326963-008 | 71-109-02 & -04 | 2 |
| | 326963-002 | 71-203-02 & -04 | 4 |
| | 326963-003 | 71-204-02 & -04 | 4 |
| | 326963-004 | 71-205-02 & -04 | 4 |
| | 326963-005 | 71-206-02 & -04 | 4 |
| | 326963-006 | 71-207-02 & -04 | 4 |
| | 326963-007 | 71-208-02 & -04 | 4 |
| | 326963-008 | 71-209-02 & -04 | 4 |
| | 326963-002 | 71-303-02 & -04 | 6 |
| | 326963-003 | 71-304-02 & -04 | 6 |
| | 326963-004 | 71-305-02 & -04 | 6 |
| | 326963-005 | 71-306-02 & -04 | 6 |
| 326963-006 | 71-307-02 & -04 | 6 | |
| 326963-007 | 71-308-02 & -04 | 6 | |
| 326963-008 | 71-309-02 & -04 | 6 | |
| 2 | 221072-002 | Spray Nozzle | |
| | | Manifold On | |
| | | QTY/MANIFOLD | ← |
| | | 326963-001 | 4 |
| | | 326963-002 | 6 |
| | | 326963-003 | 8 |
| | | 326963-004 | 10 |
| | | 326963-005 | 12 |
| | | 326963-006 | 14 |
| | | 326963-007 | 16 |
| | 326963-008 | 18 | |
| 3 | 130124-001 | Pipe Plug, Nylon | |
| | | Qty. 2 per Manifold | ← |
| 4 | 123576-001 | Swivel Assy. | |
| | | Qty. 1 Per Manifold | ← |
| 5 | 220105-045 | Manifold Bushing, Idler End | |
| | | Qty. 1 Per Manifold | ← |
| 6 | 125366-001 | Manifold Bushing, Center Support | |
| | | Used Only on Models Listed: | ← |
| | | 71-107-02 & -04 | 2 |
| | | 71-108-02 & -04 | 2 |
| | | 71-109-02 & -04 | 2 |
| | | 71-207-02 & -04 | 4 |
| | | 71-208-02 & -04 | 4 |
| | | 71-209-02 & -04 | 4 |
| | | 71-307-02 & -04 | 6 |
| | | 71-308-02 & -04 | 6 |
| | 71-309-02 & -04 | 6 | |
| 7 | 229508-001 | Manifold Motor, Clockwise Rotation | 1 |
| 8 | 229508-002 | Manifold Motor, Counter-Clockwise Rotation | 1 |
| 9 | 126403-001 | Manifold Motor Mtg. Plate Assy. | 2 |
| 10 | 221087-008 | Manifold Motor Drive Arm Assy. | 2 |
| 11 | 227189-001 | Manifold Drive Top Connecting Link | 2 |
| 12 | | Manifold Drive Main Link: | |
| | 227188-001 | 2 Cell High Unit | 2 |
| | 227188-002 | 3 Cell High Unit | 2 |
| 13 | 221101-002 | Bushing 5/8 Manifold Linkage | 2 |

WATER WASH SYSTEM CONTINUED

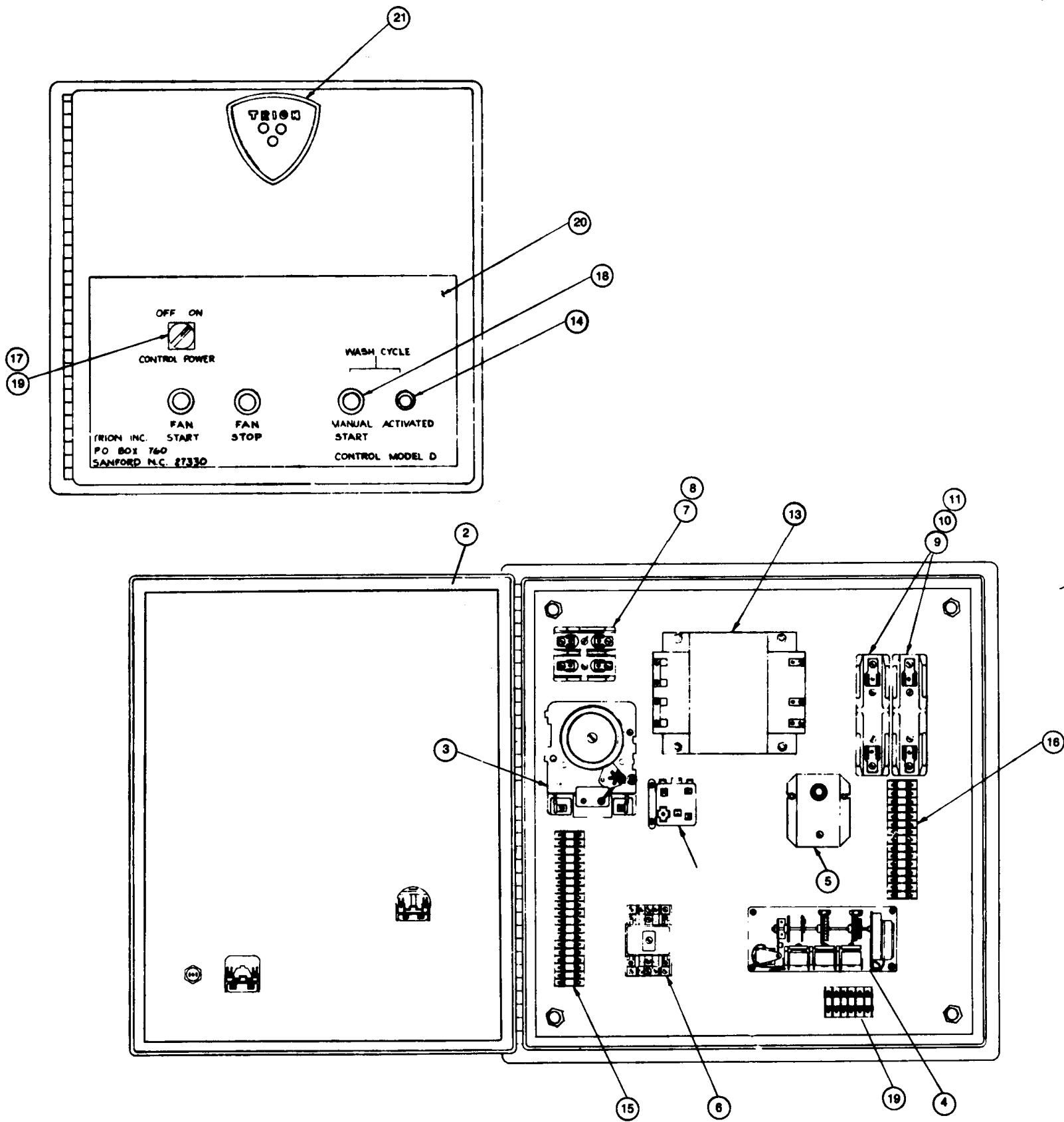
| KEY | PART NUMBER | PART DESCRIPTION | QTY./UNIT |
|-----|-------------|---|----------------|
| 14 | 221101-001 | Bushing $\frac{7}{16}$ Manifold Linkage: 1 Cell High Units, 71-102-02 & -04 Thru 71-109-02 & -04 2 Cell High Units, 71-203-02 & -04 Thru 71-209-02 & -04 3 Cell High Units, 71-303-02 & -04 Thru 71-309-02 & -04 | 2 4 6 |
| 15 | 120456-007 | Nylon Spacer Washer, Manifold Linkage 1 Cell High Units 2 Cell High Units 3 Cell High Units | 18 26 32 |
| 16 | | Detergent Feeder Assembly (See Detergent Feeder Assembly Parts List for Part Number) | 1 |
| 17 | 238596-005 | Solenoid Valve, 1 $\frac{1}{4}$ " (Wash Water Supply) | 1 |
| 18 | 125766-001 | Strainer, 1 $\frac{1}{4}$ " (Wash Water Supply) | 1 |
| 19 | 121026-006 | Vacuum Breaker, 1 $\frac{1}{4}$ " (Wash Water Supply) | 1 |



1. DETERGENT FEEDER ASSEMBLY

DETERGENT FEEDER ASSEMBLY

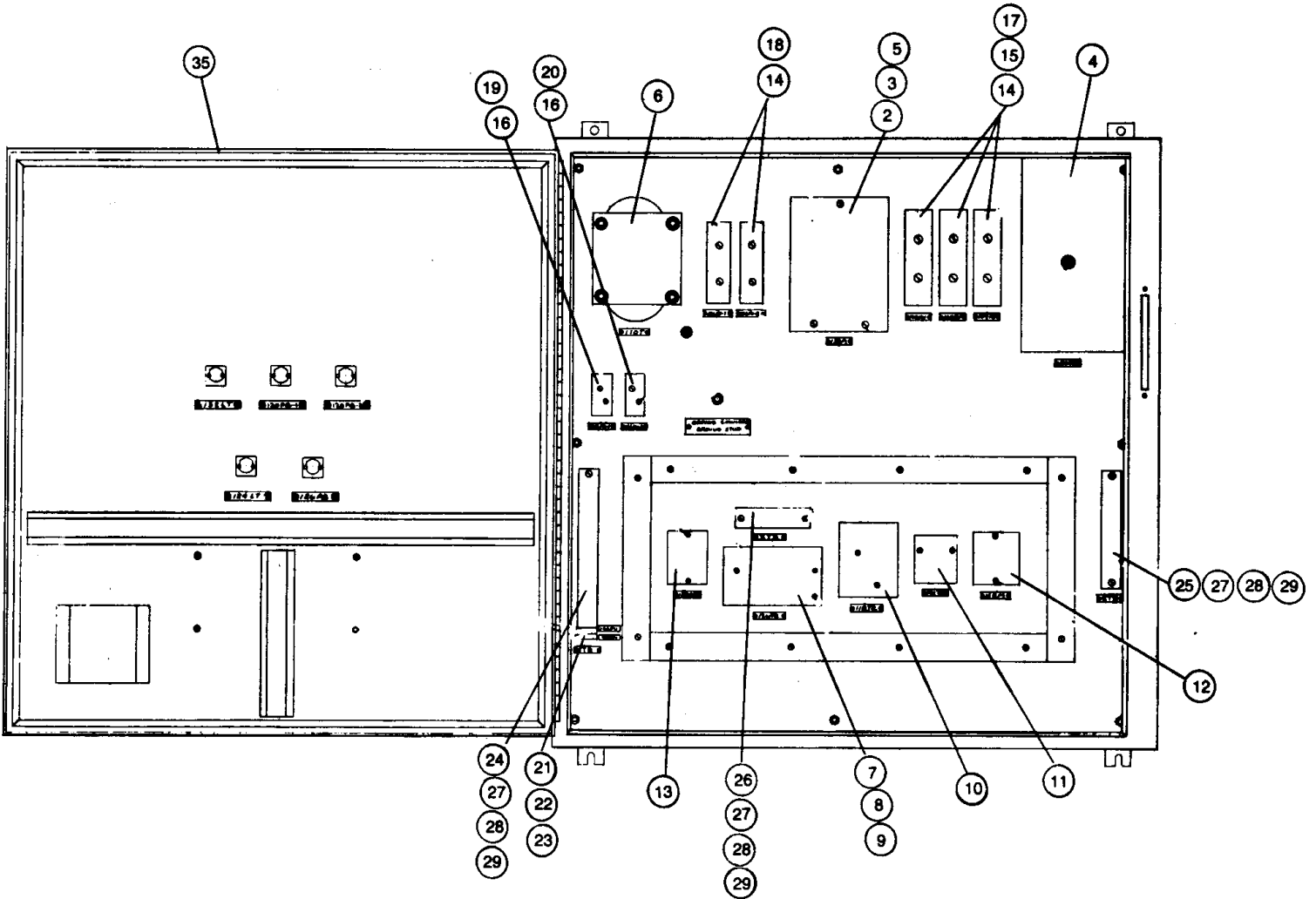
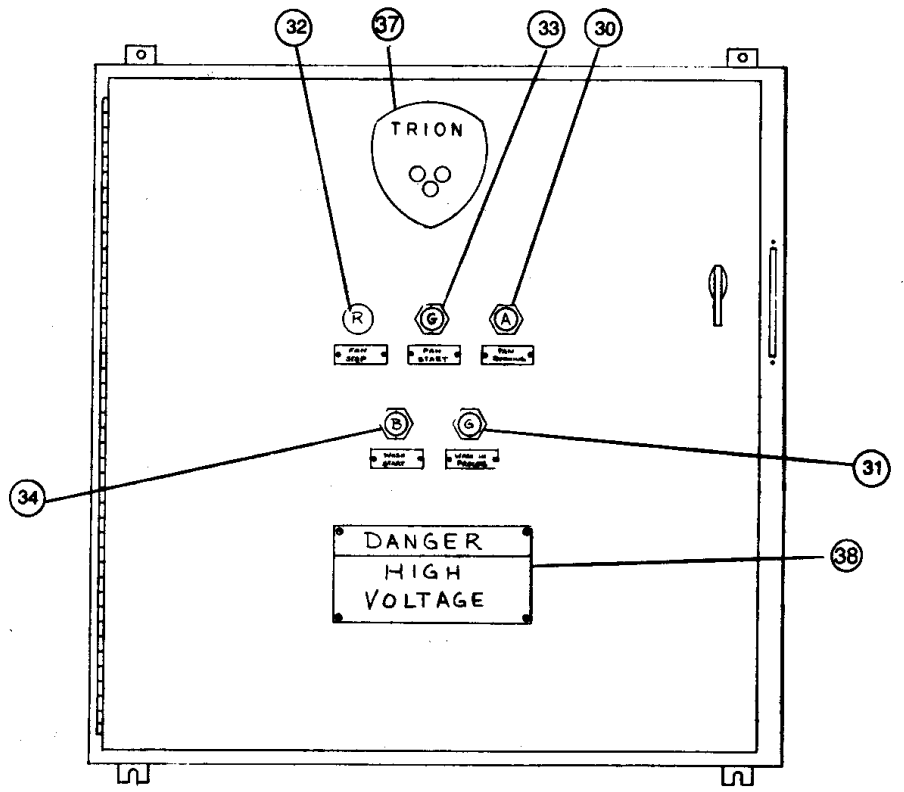
| KEY | PART NUMBER | PART DESCRIPTION | QTY./UNIT |
|-----|-------------|---|-----------|
| 1 | | Detergent Feeder Assembly—Complete (Includes Items 2 Thru 10) | 1 |
| | 437702-001 | 16 gal. capacity | |
| | 437702-002 | 30 gal. capacity | |
| | 437702-003 | 55 gal. capacity | |
| 2 | | Stand Assembly | 1 |
| | 320983-002 | 16 gal. | |
| | 320983-007 | 30 gal. | |
| | 320983-008 | 55 gal. | |
| 3 | | Tank (Does Not Include lid—Item #4) | 1 |
| | 329267-001 | 16 gal. | |
| | 329267-002 | 30 gal. | |
| | 329267-003 | 55 gal. | |
| 4 | | Tank Lid | 1 |
| | 121019-003 | 16 gal. | |
| | 121019-004 | 30 gal. | |
| | 121019-005 | 55 gal. | |
| 5 | 129797-001 | Strainer | 1 |
| 6 | | Check Valve | |
| | 121021-003 | 16 and 30 Gallon Detergent Feeder | 1 |
| | 121021-004 | 55 Gallon Detergent Feeder | 1 |
| 7 | 125476-001 | Control Valve | 1 |
| 8 | | Pump/Motor Assembly (Includes Items 9 & 10) | 1 |
| | 435608-001 | 3/8 Pump w/1/3 HP Motor, 16 and 30 Gallon Detergent Feeder | |
| | * | 1/2 Pump w/3/4 HP Motor, 55 Gallon Detergent Feeder | |
| | | *Not available as assembly—must be ordered as individual items 9 & 10. | |
| 9 | | Pump | 1 |
| | 435608-101 | 3/8 Pump | |
| | 335612-001 | 1/2 Pump | |
| 10 | | Pump Motor | 1 |
| | 435608-107 | 1/2 HP, 115V Motor | |
| | 129490-001 | 3/4 HP, 115V Motor | |



1. CONTROL "D" COMPLETE

CONTROL "D", MODEL 71-XXX-02

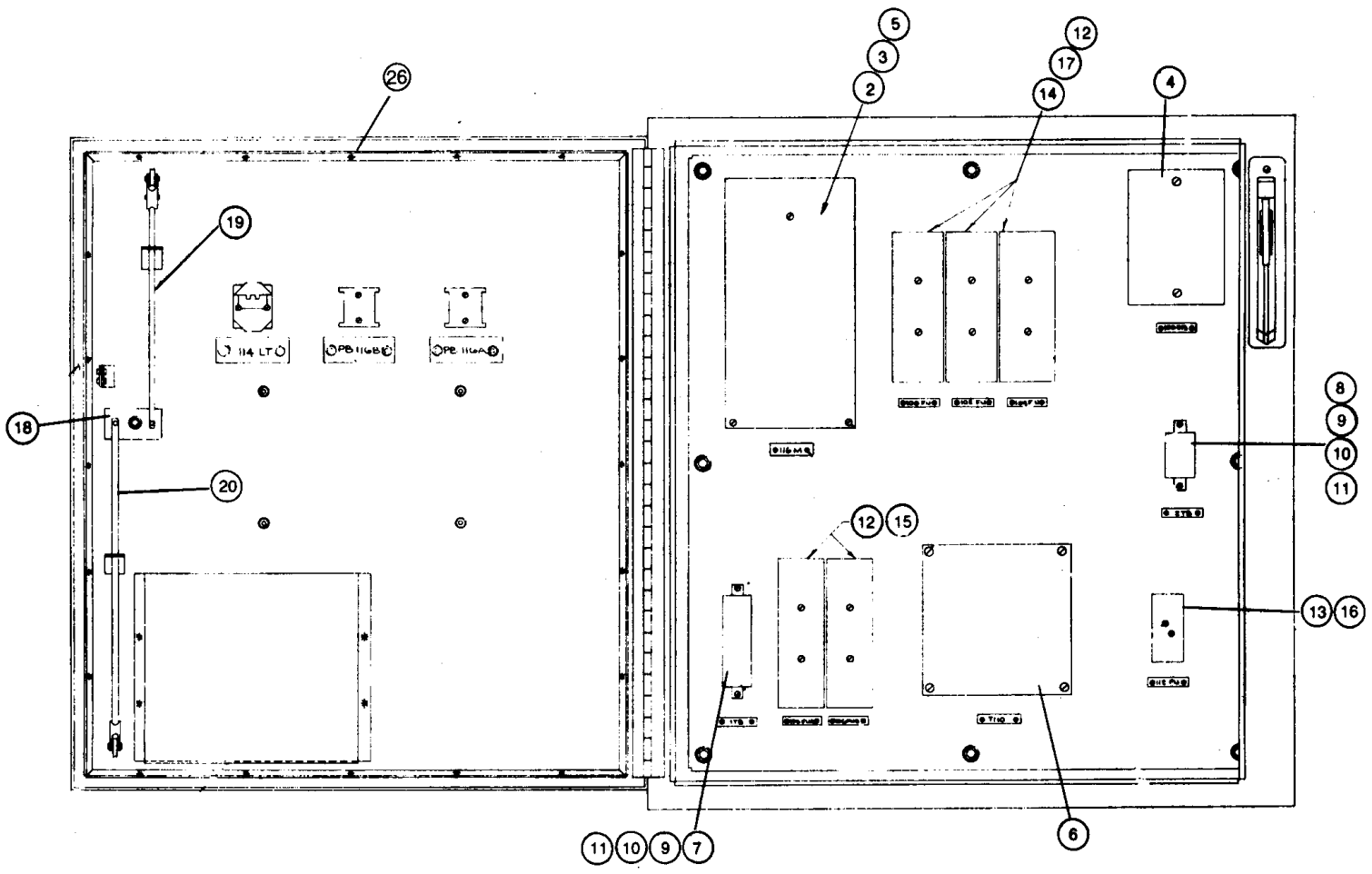
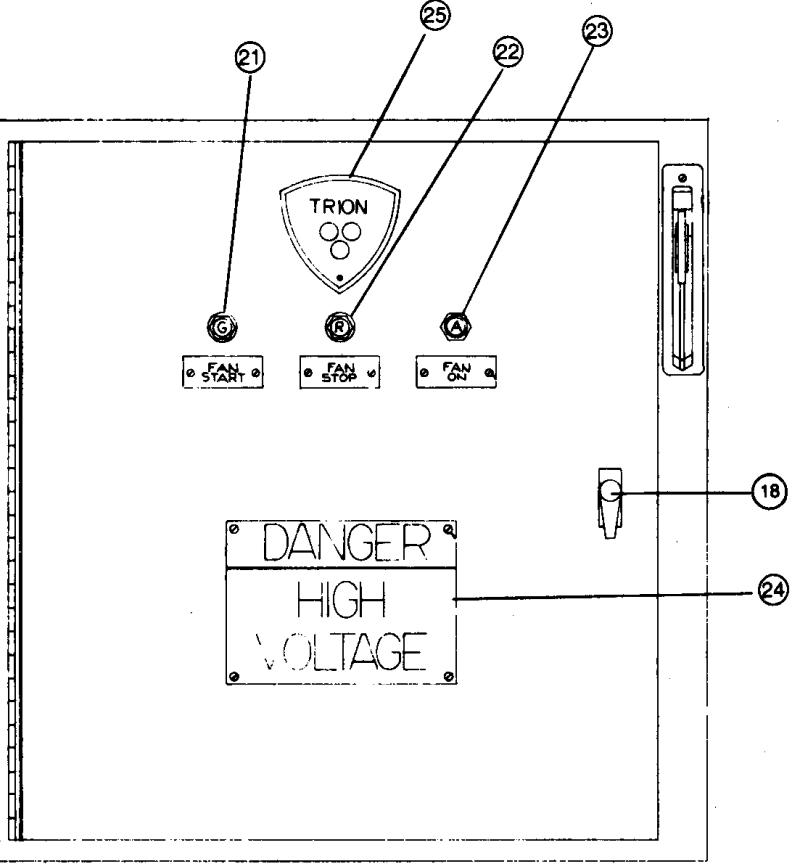
| KEY | PART NUMBER | PART DESCRIPTION | QTY./UNIT |
|-----|-------------|--|-----------|
| 1 | | Control "D" Complete If a Complete Control "D" is Required Consult Trion Factory for Part Number. | |
| 2 | 220062-048 | Gasket | 8' |
| 3 | 125086-001 | Automatic Time Clock | 1 |
| 4 | 129629-004 | Timer, Multi-Cam, Includes Items No. 22 and 23 Below | 1 |
| 5 | 120362-007 | Relay, Time delay, 1.2-120 sec. | 1 |
| 6 | 325753-001 | Relay, Control | 1 |
| 7 | 222924-001 | Fuse Block | 1 |
| 8 | 122925-005 | Fuse, 12A, 250V Controls w/230/460:115V Stepdown Transformer All other controls | 2 1 |
| 9 | 222924-003 | Fuse Block .Used only on controls w/230/460:115V Stepdown Transformer | 2 |
| 10 | 122926-003 | Fuse, 6.25 AMP, 600V Used only on contols w/230/460:115V Stepdown Transformer wired for 230 Volt input and units employing a 1/3 HP Detergent Pump Motor or for Stepdown Transformer wired for 460 Volt input employing either a 1/3 or 3/4 HP Detergent Pump Motor. | 2 |
| 11 | 122926-001 | Fuse, 10 AMP, 600V Used only on controls with 230/460:115V Stepdown Transformer wired for 230 Volt input and units employing a 3/4 HP Detergent Pump Motor | 2 |
| 12 | 229538-002 | Detergent Pump Contactor | 1 |
| 13 | 228312-002 | Stepdown Transformer, 2KVA 230/460: 115 Volt 60 HZ | 1 |
| 14 | 125756-001 | Light, Amber | 1 |
| 15 | 321233-018 | Terminal Board, 20 Terminals | 1 |
| 16 | 321233-013 | Terminal Board, 15 Terminals | 1 |
| 17 | 222641-001 | On-Off Selector Switch | 1 |
| 18 | 125758-001 | Manual Start Push Button Switch | 1 |
| 19 | 321233-004 | Terminal Board, 6 Terminals | 1 |
| 20 | 327310-001 | Front Label | 1 |
| 21 | 220404-001 | Label, Trion Shield | 1 |
| 22 | 129629-301 | Switch for Cam Timer, Item No. 4 | 5 |
| 23 | 129629-202 | Motor for Cam Timer, Item No. 4 Above | 1 |



1 CONTROL "D1" COMPLETE

CONTROL "D1", MODEL 71-XXX-04

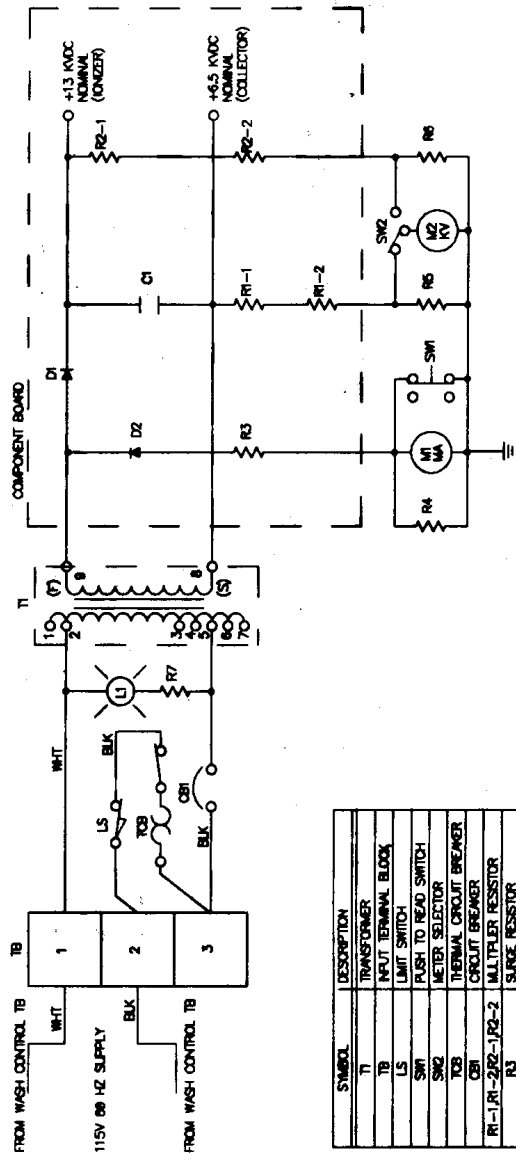
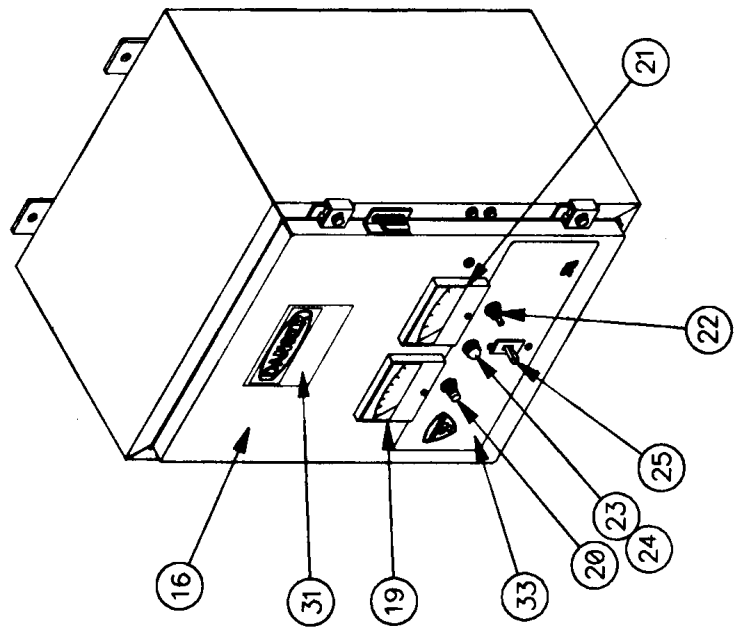
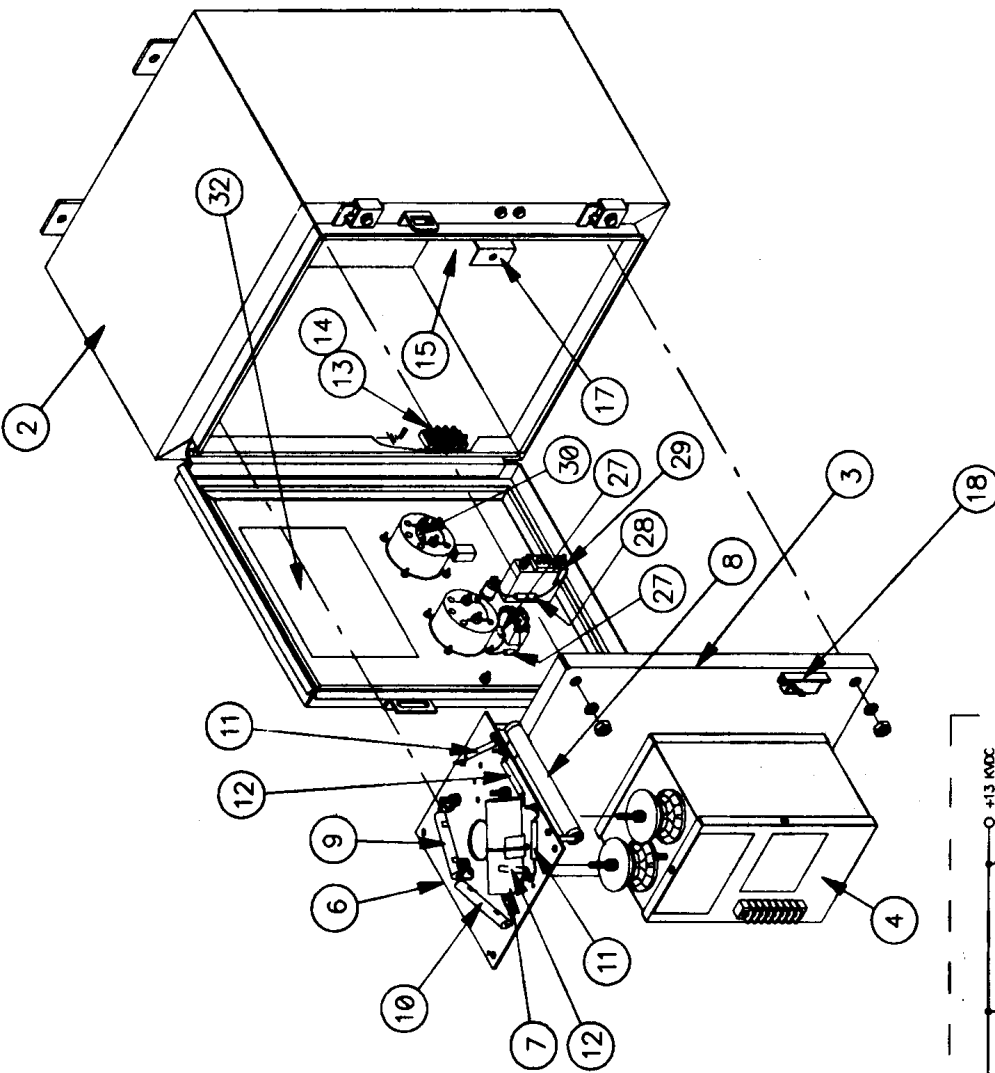
| KEY | PART NUMBER | PART DESCRIPTION | QTY./UNIT |
|-----|-------------|---|-----------|
| 1 | | Control "D1" Complete | 1 |
| | | If a Complete "D1" is Required, Consult Trion Factory for Part Number | |
| 2 | | Motor Starter (Motor Start Requires Items No. 3 and 5 Below to be Operational) | |
| | 231728-002 | Nema "0", 5 H.P. Maximum @ 480 VAC, 3 PH. | 1 |
| | 231728-003 | Nema "1", 10 H.P. Maximum @ 480 VAC, 3 PH. | 1 |
| | 231728-004 | Nema "2", 25 H.P. Maximum @ 480 VAC, 3 PH. | 1 |
| | 231728-005 | Nema "3", 50 H.P. Maximum @ 480 VAC, 3 PH. | 1 |
| 3 | | Heater Elements for Motor Starter Item No. 2 Above | |
| | 231729-036 | 45 W, Used for 3 H.P. Fan Motor | 3 |
| | 231729-041 | 50 W, Used for 5 H.P. Fan Motor | 3 |
| | 231729-045 | 54 W, Used for 7.5 H.P. Fan Motor | 3 |
| | 231729-047 | 56 W, Used for 10 H.P. Fan Motor | 3 |
| | 231729-052 | 61 W, Used for 15 H.P. Fan Motor | 3 |
| | 231729-055 | 64 W, Used for 20 H.P. Fan Motor | 3 |
| | 231729-058 | 67 W, Used for 25 H.P. or 30 H.P. Fan Motor | 3 |
| 4 | | Disconnect Switch, Operating Mechanism Included Except for Tie Rod and Tie Rod Spacer Listed Below | |
| | 225971-004 | 30 AMP, 15 H.P. or Less Fan Motor | 1 |
| | 225971-003 | 60 AMP, 20 H.P., 25 H.P. or 30 H.P. Fan Motor | 1 |
| 5 | 123091-001 | Auxillary Motor Starter Contact | 1 |
| 6 | | Stepdown Transformer | |
| | 231331-003 | 2 KVA | 1 |
| | 231331-004 | 3 KVA | 1 |
| 7 | 129629-004 | Cam Timer, Includes Items No. 8 and 9 | 1 |
| 8 | 129629-301 | Switch, for Cam Timer Item No. 7 Above | 5 |
| 9 | 129629-202 | Motor for Cam Timer Item No. 7 Above | 1 |
| 10 | 125086-002 | Automatic Time Clock, 7-Day | 1 |
| 11 | 120362-007 | Detergent Timer 1.2-120 SEC. | 1 |
| 12 | 331608-001 | Detergent Pump Contactor | 1 |
| 13 | 331379-002 | Fan Control Relay | 1 |
| 14 | 222924-003 | Fuse Block, 1 Pole, 1-30 AMP, 600V 15 H.P. or Less Fan Motor | 5 |
| | | 20 H.P., 25 H.P., or 30 H.P. Fan Motor | 2 |
| 15 | 222924-003 | Fuse Block, 1 Pole, 31-60 AMP, 600V 20 H.P., 25 H.P., or 30 H.P. Fan Motor | 3 |
| 16 | 222924-004 | Fuse Block, 1 Pole, 1-30 AMP, 250V | 2 |
| 17 | | Fuses, FRS 600 VAC | |
| | 122926-013 | 8 AMP, 600 VAC, for 3 H.P. Fan Motor | 3 |
| | 122926-007 | 12 AMP, 600 VAC, for 5 H.P. Fan Motor | 3 |
| | 122926-006 | 15 AMP, 600 VAC, for 7.5 H.P. Fan Motor | 3 |
| | 122926-004 | 20 AMP, 600 VAC, for 10 H.P. Fan Motor | 3 |
| | 122926-005 | 30 AMP, 600 VAC, for 15 H.P. Fan Motor | 3 |
| | 122926-014 | 40 AMP, 600 VAC for 20 H.P. Fan Motor | 3 |
| | 122926-015 | 50 AMP, 600 VAC for 25 H.P. Fan Motor | 3 |
| | 122926-016 | 60 AMP, 600 VAC for 30 H.P. Fan Motor | 3 |
| 18 | | Fuses, FRS, 600 VAC | |
| | 122926-012 | 4.5 AMP, 250 VAC, for 2 KVA Stepdown Transformer | 2 |
| | 122926-003 | 6.25 AMP, 250 VAC, for 3 KVA Stepdown Transformer | 2 |
| 19 | | Fuses, FRN, 250 VAC | |
| | 122925-001 | 10 AMP, 250 VAC, for 1/3 H.P. Detergent Pump | 1 |
| | 122925-013 | 20 AMP, 250 VAC, for 3/4 H.P. Detergent Pump | 1 |
| 20 | 122925-006 | Fuse, FRN, 250 VAC, 15 AMP | 1 |
| 21 | 131122-006 | Fuse, FNA, 250 VAC, 2 AMP | 2 |
| 22 | 131120-001 | Terminal Block Fuse Mount | 2 |
| 23 | 131121-001 | Terminal Block Fuse Puller | 2 |
| 24 | 321231-150 | Terminal Block Mounting Channel, 30 Terminals | 1 |
| 25 | 321231-118 | Terminal Block Mounting Channel, 20 Terminals | 1 |
| 26 | 321231-110 | Terminal Block Mounting Channel, 12 Terminals | 1 |
| 27 | 121222-001 | Terminal Block | 62 |
| 28 | 121224-001 | Terminal Block End Barrier | 3 |
| 29 | 121225-001 | Terminal Block Retaining Clip | 6 |
| 30 | 227760-001 | Pilot Light, Amber, "Fan Running" | 1 |
| 31 | 227760-005 | Pilot Light, Green, "Wash In Process" | 1 |
| 32 | 321700-040 | Push Button Switch, Red, "Fan Stop" | 1 |
| 33 | 321700-041 | Push Button Switch, Green, "Fan Start" | 1 |
| 34 | 321700-042 | Push Button Switch, Black, "Wash Start" | 1 |
| 35 | 131035-002 | Door Gasket | 1 |
| 36 | 226191-003 | Door Latching Mechanism, Complete except for Locking Bars Listed Below | 1 |
| 37 | 220494-001 | Label, Trion Shield | 1 |
| 38 | 126489-001 | Warning Label, High Voltage | 2 |
| NS | 231773-016 | Door Locking Bar, Upper | 1 |
| NS | 231773-017 | Door Locking Bar, Lower | 1 |
| NS | 131775-001 | Disconnect Switch Tie Rod | 1 |
| NS | 131776-001 | Disconnect Switch Tie Rod Spacer | 1 |
| NS | 131122-006 | Fuse, 2 Amp. | |



1 CONTROL "D2" COMPLETE

CONTROL "D2" MODEL 71-XXX-03

| KEY | PART NUMBER | PART DESCRIPTION | QTY./UNIT |
|--------------|-------------|--|-------------|
| 1 | | Control "D2" Complete If a Complete Control "D2" is Required, Consult Trion Factory for Part Number. | 1 |
| 2 | | Motor Starter, (Motor Starter Requires Items No. 3 and 5 Below to be Operational) | |
| | 231728-002 | Nema "0", 5 H.P. Maximum @ 480VAC, 3 PH. | 1 |
| | 231728-003 | Nema "1", 10 H.P. Maximum @ 480 VAC, 3 PH. | 1 |
| | 231728-004 | Nema "2", 25 H.P. Maximum @ 480 VAC, 3 PH. | 1 |
| | 231728-005 | Nema "3", 50 H.P. Maximum @ 480 VAC, 3 PH. | 1 |
| 3 | | Heater Elements for Motor Starter Item No. 2 Above | |
| | 231729-036 | 45 WATT, Used for 3 H.P. Fan Motor | 3 |
| | 231729-041 | 50 WATT, Used for 5 H.P. Fan Motor | 3 |
| | 231729-045 | 54 WATT, Used for 7.5 H.P. Fan Motor | 3 |
| | 231729-047 | 56 WATT, Used for 10 H.P. Fan Motor | 3 |
| | 231729-052 | 61 WATT, Used for 15 H.P. Fan Motor | 3 |
| | 231729-055 | 64 WATT, Used for 20 H.P. Fan Motor | 3 |
| | 231729-058 | 67 WATT, Used for 25 H.P. or 30 H.P. Fan Motor | 3 |
| 4 | | Disconnect Switch (100 DIS) | |
| | 225971-004 | 30 AMP, 15 H.P. or Less Fan Motor | 1 |
| | 225971-003 | 60 AMP, 20 H.P., 25 H.P. or 30 H.P. Fan Motor | 1 |
| 5 | 123091-001 | Auxilliary Contact for Motor Starter, Item No. 2 Above | 1 |
| 6 | 231331-003 | Stepdown Transformer, 2KVA, (T110) | 1 |
| 7 | 321231-110 | Terminal Block Mounting Channel, 12 Terminals, (1TB) | 1 |
| 8 | 321231-104 | Terminal Block Mounting Channel, 6 Terminals (2TB) | 1 |
| 9 | 121222-001 | Terminal Block for Items No. 7 and 8 Above | 18 |
| 10 | 121224-001 | End Barrier for Items No. 7 and 8 Above | 2 |
| 11 | 121225-001 | Retaining Clips for Items No. 7 and 8 Above | 4 |
| 12 | 222924-003 | Fuse Blocks, 1 Pole, 1-30 AMP, 600V 15 H.P. or Less Fan Motor | 5 |
| | | 20 H.P., 25 H.P. or 30 H.P. Fan Motor | 2 |
| 13 | 222924-004 | Fuse Block, 1 Pole, 1-30 AMP, 250V | 1 |
| 14 | 222924-008 | Fuse Block, 1 Pole, 31-60 AMP, 600V 20 H.P., 25 H.P. or 30 H.P. Fan Motor | 3 |
| 15 | 112926-003 | Fuse, 6.25 AMP | 2 |
| 16 | 122925-006 | Fuse, 15 AMP | 1 |
| 17 | | Fuses | |
| | 122926-013 | Fuse, 8 AMP, 3 H.P. Fan Motor | 3 |
| | 122926-007 | Fuse, 12 AMP, 5 H.P. Fan Motor | 3 |
| | 122926-006 | Fuse, 15 AMP, 7.5 H.P. Fan Motor | 3 |
| | 122926-004 | Fuse, 20 AMP, 10 H.P. Fan Motor | 3 |
| | 122926-005 | Fuse, 30 AMP, 15 H.P. Fan Motor | 3 |
| | 122926-014 | Fuse, 40 AMP, 20 H.P. Fan Motor | 3 |
| | 122926-015 | Fuse, 50 AMP, 25 H.P. Fan Motor | 3 |
| | 122926-016 | Fuse, 60 AMP, 30 H.P. Fan Motor | 3 |
| 18 | 226191-003 | Door Latching Mechanism | 1 |
| 19 | 231773-026 | Door Latching Bar, Top | 1 |
| 20 | 231773-027 | Door Latching Bar, Bottom | 1 |
| 21 | 321700-041 | Push Button, Fan Start, Green | 1 |
| 22 | 321700-040 | Push Button, Fan Stop, Red | 1 |
| 23 | 227760-001 | Light, Fan On, Amber | 1 |
| 24 | 126489-001 | Warning Label, High Voltage | 1 |
| 25 | 220494-001 | Label, Trion Shield | 1 |
| 26 | 131035-012 | Door Gasket | 1 |
| Not Shown | 131775-001 | Disconnect Switch Tie Rod 30 AMP Disconnect 60 AMP Disconnect | 1 1 2 |
| Not Shown | 131775-001 | Disconnect Switch Spacer 30 AMP Disconnect 60 AMP Disconnect | 1 1 2 |



| SYMBOL | DESCRIPTION |
|------------------------|---------------------------|
| T1 | TRANSFORMER |
| TB | REUT TERMINAL BLOCK |
| LS | LIMIT SWITCH |
| SW1 | PUSH TO READ SWITCH |
| SW2 | METER SELECTOR |
| TCB | THERMAL CIRCUIT BREAKER |
| CB1 | CIRCUIT BREAKER |
| R1-1, R1-2, R2-1, R2-2 | MULTIPLIER RESISTOR |
| R3 | SHUNT RESISTOR |
| R4 | DIVIDER RESISTOR |
| R5 | EMPASS RESISTOR |
| R7 | CURRENT LIMITING RESISTOR |
| M1 | MILLIAMMETER |
| M2 | REDMOLT METER |
| C1 | CAPACITOR |
| L1 | PILOT LIGHT |
| D1, D2 | RECTIFIER |

SCHEMATIC

1. POWER PACK, TYPE "E"

POWER PACK, TYPE "E"

| KEY | PART NUMBER | PART DESCRIPTION | QTY./CELL |
|--------------|-------------|--|-----------|
| 1 | 429492-004 | Power Pack Assembly, Complete (Includes Items 3 thru 35) | 1 |
| 2 | 430659-001 | Enclosure, Nema 12 (Housing Only) | 1 |
| 3 | 325387-001 | Chassis Panel Plate | 1 |
| 4 | 427051-001 | High Voltage Transformer | 1 |
| 5 | 334243-001 | Secondary Component Board Assembly, Complete (Includes Items 7 thru 13) | 1 |
| 6 | 234242-001 | Insulation Board | 1 |
| 7 | 122871-001 | Capacitor Assembly, 10 KVDC, .03 MFD, C1 | 1 |
| 8 | 221347-025 | Resistor, 20K, 100W, R3 | 1 |
| 9 | 223039-009 | Rectifier Assembly, 350 MA, 30 KV, D2 | 1 |
| 10 | 223039-008 | Rectifier Assembly, 350 MA, 30 KV, D1 | 1 |
| 11 | 225352-001 | Resistor Assembly, 100 MEG, 2W, 10KV, R1-2, R2-2 | 2 |
| 12 | 225352-002 | Resistor Assembly, 100 MEG, 2W, 10KV, R1-1, R2-1 | 2 |
| 13 | 221442-003 | Terminal Board, TB | 1 |
| 14 | 221443-003 | Marker Strip | 1 |
| 15 | 120313-001 | Access Door Electrical Interlock Switch, LS | 1 |
| 16 | 131515-001 | Safety Screw | 1 |
| 17 | 225294-001 | Bracket Assembly, Safety Switch | 1 |
| 18 | 228748-013 | Thermal Circuit Breaker, 2 AMP, TCB | 1 |
| 19 | 235424-001 | MA Meter | 1 |
| 20 | 120369-003 | Push Switch | 1 |
| 21 | 235425-001 | KV Meter | 1 |
| 22 | 120370-004 | Toggle Switch | 1 |
| 23 | 123463-003 | Lamp Holder, L1 | 1 |
| 24 | 121576-002 | Lamp, L1 | 1 |
| 25 | 230495-005 | Magnetic Circuit Breaker 3.5 AMP, CB1 | 1 |
| 26 | 129499-003 | Resistor Assembly, 100K, 1W, R6 | 1 |
| 27 | 129499-002 | Resistor Assembly, 1 MEG, 1W, R5 | 1 |
| 28 | 220930-099 | Resistor, 3.3K, 1W, R7 | 1 |
| 29 | 128434-001 | Resistor Mounting Bracket | 1 |
| 30 | 220930-103 | Resistor 47K, 1W, R4 | 1 |
| 31 | 121390-001 | Warning Label | 1 |
| 32 | 229030-001 | Label, Wiring Schematic | 1 |
| 33 | 325819-002 | Label | 1 |
| Not Shown | 121117-003 | High Voltage Lead, Blue, (Per foot) | As Req. |
| Not Shown | 121117-001 | High Voltage Lead, Black, (Per foot) | As Req. |

NOTE:

Prior to the Power Pack, TYPE "E" recognized by Underwriters Laboratories (UL), Trion, Inc. Power Pack TYPE "E" was not recognized by UL. Power Packs can be distinguished by the following:

UL RECOGNIZED

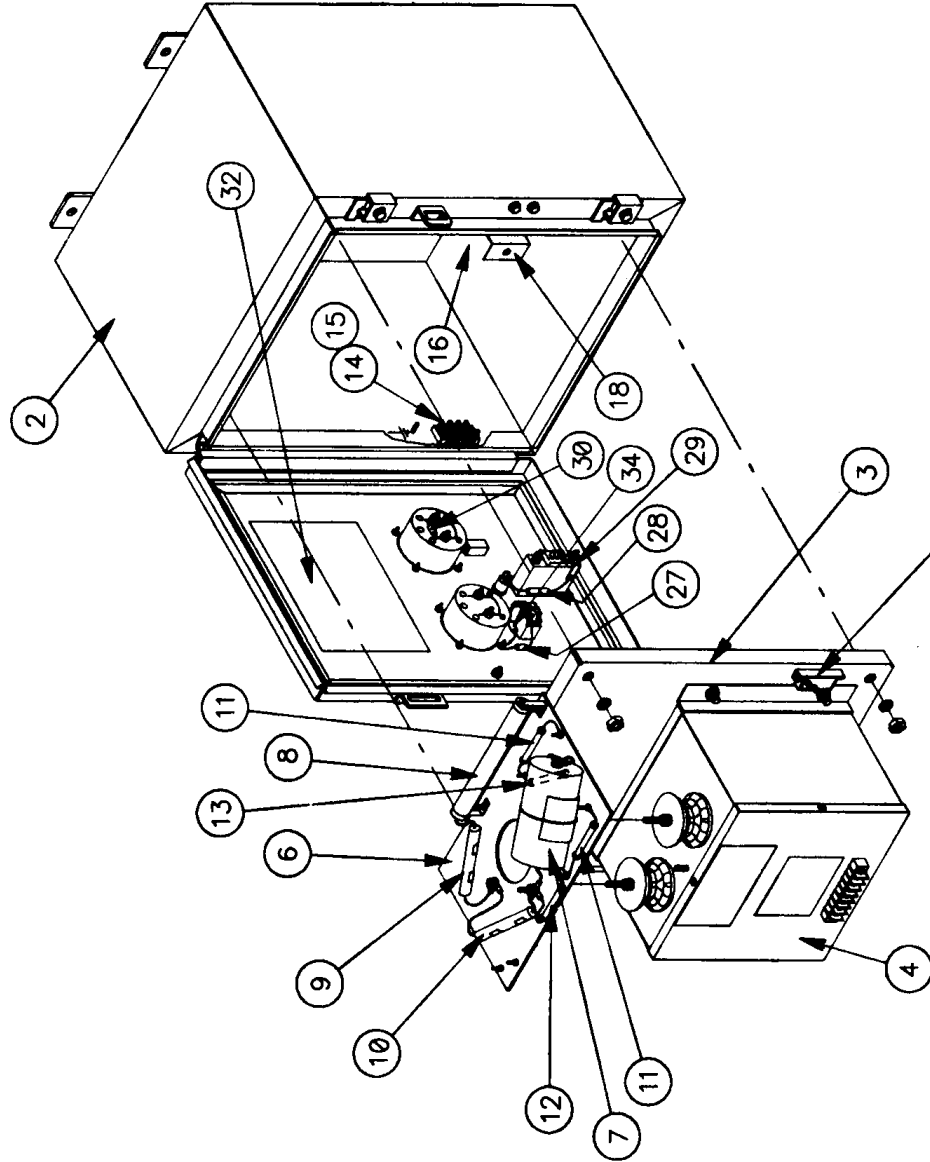
1. Displays UL recognized trademark shown above.
2. All components of the secondary component board are mounted on top surface of red insulation board.
3. Incorporates API Panel meters.

NON-UL RECOGNIZED

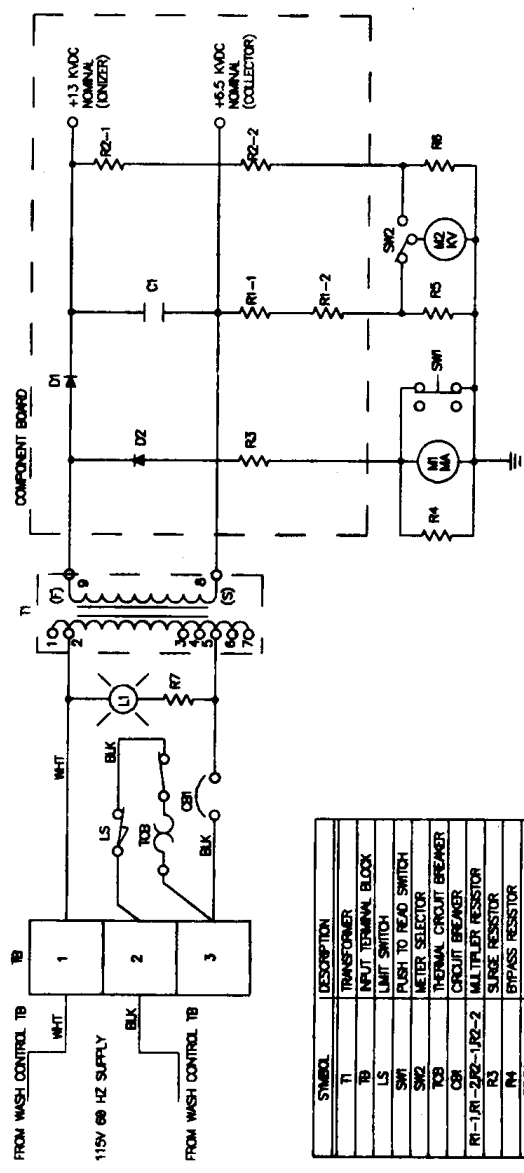
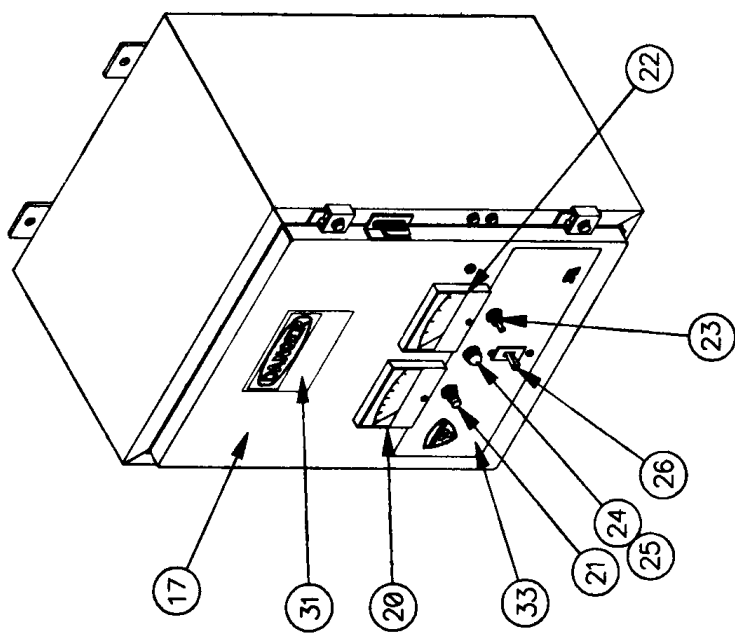
1. Does not display the UL recognized trademark shown above.
2. The surge resistor, 20K OHM, 100W, R3, is mounted on bottom surface of red insulation board.
3. Incorporates GE Panel meters.

The following parts are replacements for the non-UL recognized Power Pack, TYPE "E". If a required replacement part is not listed below, the part is interchangeable with parts of the UL recognized Power Pack above.

| | | |
|----|------------|---------------------------------------|
| 6 | 325454-001 | Secondary Component Board Assembly |
| 7 | 222865-001 | Insulation Board |
| 10 | 223039-002 | Rectifier Assembly, 350 MA, 30 KV, D2 |
| 11 | 223039-001 | Rectifier Assembly, 350 MA, 30 KV, D1 |



7.5 Amp



SCHEMATIC

| SYMBOL | DESCRIPTION |
|------------------------|---------------------------|
| T1 | TRANSFORMER |
| TB | INLET TERMINAL BLOCK |
| LS | LIMIT SWITCH |
| SW1 | PUSH TO READ SWITCH |
| SW2 | METER SELECTOR |
| TCB | THERMAL CIRCUIT BREAKER |
| CB | CIRCUIT BREAKER |
| R1-1, R1-2, R2-1, R2-2 | MULTIPLIER RESISTOR |
| R3 | SLURF RESISTOR |
| R4 | BYPASS RESISTOR |
| REWB | DYDER RESISTOR |
| R7 | CURRENT LIMITING RESISTOR |
| M1 | MILLIAMMETER |
| M2 | KILOVOLT METER |
| C1 | CAPACITOR |
| L1 | PILOT LIGHT |
| D1, D2 | RECTIFIER |

POWER PACK TYPE "F"

POWER PACK, TYPE "F"

UNDERWRITERS LABORATORIES RECOGNIZED
SEE NOTE BELOW

| KEY | PART NUMBER | PART DESCRIPTION | QTY./CELL |
|--------------|-------------|--|-----------|
| 1 | 429506-004 | Power Pack Assembly, Complete (Includes Items 3 thru 36) | 1 |
| 2 | 430659-001 | Enclosure, Nema 12 (Housing Only) | 1 |
| 3 | 225273-002 | Chassis Panel Plate | 1 |
| 4 | 431358-001 | High Voltage Transformer, T1 | 1 |
| 5 | 434195-001 | Secondary Component Board Assembly, Complete (Includes Items 7 thru 14) | |
| 6 | 234204-001 | Insulation Board | 1 |
| 7 | 231464-012 | Capacitor, 15 KVDC, .05 MFD, C1 | 1 |
| 8 | 221347-025 | Resistor, 20K, 100W, R3 | 1 |
| 9 | 223039-005 | Rectifier Assembly, 350 MA, 30 KV, D2 | 1 |
| 10 | 223039-002 | Rectifier Assembly, 350 MA, 30 KV, D1 | 1 |
| 11 | 225352-001 | Resistor Assembly, 100 MEG, 2W, 10KV, R1-2, R2-2 | 2 |
| 12 | 225352-002 | Resistor Assembly, 100 MEG, 2W, 10KV, R2-1, | 1 |
| 13 | 225352-007 | Resistor Assembly, 100 MEG, 2W, 10KV, R1-1 | 1 |
| 14 | 221442-003 | Terminal Board, TB | 1 |
| 15 | 221443-003 | Marker Strip | 1 |
| 16 | 120313-001 | Access Door Electrical Interlock Switch, LS | 1 |
| 17 | 131515-001 | Safety Screw | 1 |
| 18 | 225294-001 | Bracket Assembly, Safety Switch | 1 |
| 19 | 228748-017 | Thermal Circuit Breaker, 4 AMP, TCB | 1 |
| 20 | 235424-001 | MA Meter, MA | 1 |
| 21 | 120369-003 | Push Switch, SW1 | 1 |
| 22 | 235425-001 | KV Meter, KV | 1 |
| 23 | 120370-004 | Toggle Switch, SW2 | 1 |
| 24 | 123463-003 | Lamp Holder, L1 | 1 |
| 25 | 121576-002 | Lamp, L1 | 1 |
| 26 | 230495-007 | Magnetic Circuit Breaker 7.5 AMP, CB1 | 1 |
| 27 | 129499-003 | Resistor Assembly, 100K, 1W, R6 | 1 |
| 28 | 220930-099 | Resistor, 33K, 1W, R7 | 1 |
| 29 | 128434-001 | Resistor Mounting Bracket | 1 |
| 30 | 220930-103 | Resistor, 47K, 1W, R4 | 1 |
| 31 | 121390-001 | Warning Label | 1 |
| 32 | 229030-001 | Label, Wiring Schematic | 1 |
| 33 | 325819-002 | Label, Data Plate | 1 |
| 34 | 129499-002 | Resistor, 1 MEG, 1W, R5 | |
| Not Shown | 121117-003 | High Voltage Lead, Blue, (Per foot) | As Req. |
| Not Shown | 121117-001 | High Voltage Lead, Black, (Per foot) | As Req. |

NOTE:

Prior to the Power Pack, TYPE "F" recognized by Underwriters Laboratories (UL), Trion, Inc. Power Pack TYPE "F" was not recognized by UL. Power Packs can be distinguished by the following:

UL RECOGNIZED

1. Displays UL recognized trademark shown above.
2. All components of the secondary component board are mounted on top surface of red insulation board.
3. Incorporates API Panel meters.

NON-UL RECOGNIZED

1. Does not display the UL recognized trademark shown above.
2. The surge resistor, 20K OHM, 100W, R3, is mounted on bottom surface of red insulation board.
3. Incorporates GE Panel meters.

The following parts are replacements for the non-UL recognized Power Pack, TYPE "F". If a required replacement part is not listed below, the part is interchangeable with parts of the UL recognized Power Pack above.

| | | |
|----|------------|---------------------------------------|
| 6 | 225351-001 | Secondary Component Board Assembly |
| 7 | 223043-001 | Insulation Board |
| 10 | 223039-001 | Rectifier Assembly, 350 MA, 30 KV, D2 |
| 11 | 223039-002 | Rectifier Assembly, 350 MA, 30 KV, D1 |

TRION Inc.

ENGINEERED SOLUTIONS FOR CLEAN AIR

P.O. Box 760 • 101 McNeill Road • Sanford, NC 27331-0760 • 1-800-227-3917 • (919) 775-2201 • FAX (919) 774-8771

Form No. 65-0146 • © 1995, Trion Inc. • 2/95

TRION INC., having a policy of continuous product improvement, reserves the right to make changes in design and specification without notice.