

# ***TRION, Inc.***

## **MODULAR FILTERPAC MEDIA AIR CLEANER**

- INSTALLATION**
- OPERATION**
- SERVICE**

Please read these instructions carefully for trouble free operation and to get the most of your purchase. For further information concerning this product, contact your local Trion representative.

**Modular Media Air Cleaning Systems  
for Commercial and Industrial Applications**



A **FEDDERS**® ENGINEERED PRODUCTS COMPANY

**101 McNeill Road • Sanford, NC 27330**  
(919) 775-2201 • Fax: (919) 774-8771 • (800) 884-0002  
[www.trioninc.com](http://www.trioninc.com)  
MANUAL PART NO. 155837-001 • December 2002

# TABLE OF CONTENTS

SPECIFICATIONS	
AIR HANDLING CAPACITIES .....	3
POWER REQUIREMENTS.....	3
CONTROLS .....	3
MODULE DIMENSIONS AND WEIGHTS.....	3
FILTERS .....	3
PRINCIPLES OF OPERATION .....	3
NEW UNIT INSPECTION .....	3
PREPARATION & INSTALLATION .....	3
SUSPENSION MOUNTING.....	4
UNIT OPERATION .....	4
MAINTENANCE.....	4
HEPA MODULE.....	5
GAS/ODOR MODULE .....	5
CLEANING & INSPECTION OF CABINET .....	5
TROUBLESHOOTING.....	6
ORDERING REPLACEMENT PARTS.....	6
TROUBLESHOOTING PROCEDURE & FLOWCHART .....	7
DIMENSIONAL AND WEIGHT DATA.....	8
ELECTRICAL DATA.....	9
PARTS LISTS AND DRAWINGS	
SHALLOW FILTER MODULE.....	10
DEEP FILTER MODULE.....	11
HEPA FILTER MODULE.....	12
GAS/ODOR MODULE .....	13
BLOWER MODULES (2000, 3000, AND 4000 CFM) .....	14
BLOWER MODULES (6000 AND 8000 CFM) .....	16
PERFORMANCE DATA .....	18
WARRANTY.....	19

## SPECIFICATIONS

### Air Handling Capacities

- 2000 CFM @ 2.6" total static pressure
- 3000 CFM @ 2.4" total static pressure
- 4000 CFM @ 2.5" total static pressure
- 6000 CFM @ 3.0" total static pressure
- 8000 CFM @ 1.2" total static pressure

### Power Requirements

See Electrical Data Tables on Page 9

### Controls

Optional factory-supplied motor starter

### Module Dimensions and Weights

See Dimensional and Weight Data Table on Page 8

## FILTERS

### Prefilter Options

#### Shallow and Deep Filter Modules

- 2" Aluminum Mesh
- 2" Galvanized Mesh

#### Gas/Odor Module

- 4" 25% Pleated
- 4" 35% Pleated
- 4" 65% Pleated

### Main Filter Options

#### Shallow Filter Module

- 65% efficiency Bag Filter (18" or 22" deep)
- 95% efficiency Bag Filter (18" or 22" deep)
- 65%, 95%, or 98% Extended Surface Mini-pleat Filter

#### Deep Filter Module

- 65% efficiency Bag Filter (22" or 30" deep)
- 95% efficiency Bag Filter (22" or 30" deep)

#### Gas/Odor Module

- Activated Carbon
- Potassium Permanganate

#### HEPA Module

- 99.97% DOP
- 95%

## PRINCIPLES OF OPERATION

The TRION Modular FilterPac consists of a combination of the following components to comprise an air filtration system:

1. An Inlet Plenum
2. A Shallow Filter Module
3. A Deep Filter Module

4. A Gas/Odor Module
5. A HEPA Module
6. A Blower Module
7. System Rails
8. Electrical wiring (to external junction box)

The air in any room contains millions of particles of contaminants. The composition of the contaminants will vary depending on the environment. The contaminants may be in the form of smoke, airborne dirt from outside, small particles of grease, or moisture. The size of the particles (or particulate) will range from as little as 0.03 microns to anything large enough to remain airborne in the air. (A micron is one millionth of a meter.)

When the unit is turned on, the blower begins moving the air through the filter sections. The pre-filter collects the large contaminants and lint particles, which extends the life of the main filter. The air then enters the main filter where the contaminants or smoke is trapped in the millions of fibers of the bag. If a Gas/Odor Module is used, the air is then scrubbed of nuisance odors and gases. The cleaned air then passes through the blower back into the room.

## NEW UNIT INSPECTION

Immediately upon receiving the unit, carefully examine the crate for damage during transit. If unit is damaged, file a claim with the last carrier and contact your local TRION representative.

The following are guidelines for installation. However, alternate methods may be equally adequate.

## PREPARATION & INSTALLATION

This manual should be carefully read before starting the preparation and installation of the air cleaner.

### **CAUTION:**

ANY MOUNTING ARRANGEMENT MUST BE ABLE TO SUPPORT THE WEIGHT OF THE COMPLETE SYSTEM. FAILURE TO DETERMINE IF MOUNTING IS SUBSTANTIAL MAY RESULT IN DAMAGE OR INJURY IN THE AREA.

The installation should conform to all local ordinances associated with building codes and electrical codes required for the unit. Authorities

having jurisdiction should be consulted before installation is complete. If there are no local codes, the installation should conform to the National Electrical Code.

For maximum air cleaning efficiency, your air cleaner should be located as specified by your local TRION representative.

The unit can be wall-mounted, chain-hung, or suspended from threaded rod.

## SUSPENSION MOUNTING

Each Modular FilterPac System includes two mounting rails factory installed under the filter and blower modules, running the length of the assembly. The rails are approximately 6" longer than the overall system length, are predrilled at each end, and protrude approximately 3" from the first and last module (or blower).

Threaded rods (1/2" diameter) and associated hardware (supplied by others) will be required to suspend the unit from the ceiling or overhead structure.

### CAUTION:

REFER TO THE DIMENSIONAL AND WEIGHT DATA TABLE ON PAGE 8 TO ENSURE THAT THE SUPPORTING STRUCTURE IS ADEQUATELY RATED FOR THE WEIGHT OF THE UNIT ASSEMBLY.

1. Remove the filter assemblies from the unit to reduce the weight to be lifted.
2. Lift unit into position and attach the mounting rails to the threaded rods with appropriate hardware.
3. Adjust the unit as required so that it is in a near-level position.
4. Secure the mounting rails to the threaded rods.
5. Reinstall the pre-filter and primary filter assemblies.

For alternate installation methods, contact your local TRION representative.

### CAUTION:

DO NOT TAKE CHANCES. IF YOU ARE UNSURE ABOUT THE PRECEEDING METHOD OR ANY OTHER METHOD, STOP THE INSTALLATION UNTIL YOU ARE SATISFIED THAT THE METHOD OR PROCEDURE IS CORRECT.

## WIRING

The Blower Module is equipped with an externally mounted junction box. **Switches and motor starters are not supplied with the unit unless ordered as an option.** All wiring must meet local National Electrical Codes.

## UNIT OPERATION

After all wiring has been completed, turn the unit on at the motor starter. Note the rotation of the blower wheel. If the rotation is backward, it must be changed to achieve proper airflow.

Rotation can be changed on single-phase units by rewiring the internal motor hook-up. Three-phase rotation can be changed by switching any two legs of the input voltage.

## MAINTENANCE

Precision equipment such as your TRION Air Cleaner will require a minimum amount of maintenance to keep it in good operating condition. You can do all normal preventative maintenance, or your local TRION representative may offer a maintenance and cleaning contract at a nominal charge. Contact them for details.

### CAUTION:

ALWAYS DISCONNECT THE POWER SOURCE BEFORE WORKING ON OR NEAR THE MOTOR OR ITS WIRING ASSEMBLY. IF THE POWER DISCONNECT POINT IS OUT OF SIGHT, LOCK IT IN THE PROPER POSITION AND TAG TO PREVENT UNEXPECTED APPLICATION OF POWER.

The pre-filters, main filters, and adsorber trays are accessible through side access doors allowing simple, fast replacement.

Filters are changed according to the pressure across the filter. Filter change gauges are available from TRION as an option. A U-tube or slant gauge with a range of 0-3" water column can also be used to read filter pressure. Install pressure tap in "low" side of the gauge.

Main Filter	Both Filters Clean	Change Pre-Filter	Recommended Final
95%	0.63	0.85	1.0
65%	0.51	0.85	1.0
Approx. air flow reduction:		10%	20%

**NOTE:** These readings will vary slightly due to altitude and temperature.

Upon installation of the unit, note the initial pressure reading. Check daily and replace pre-filter at the reading shown in the Table. Pressure should return to near the initial pressure reading. When the pressure reading with new pre-filter shows little improvement (less than 0.1"), allow unit to run until recommended final pressure is reached. At that point, both pre-filter and main filter should be replaced.

Once a filter replacement pattern has been established, the pre-filters can be replaced on a calendar basis with the main filter being replaced when the gauge reads as "Recommended Final" in the Table. For example, if the unit takes six weeks to go from 0.63 to 0.85, the pre-filter would then be replaced every six weeks until no change occurred in the pressure reading when the pre-filter is replaced. At that point, the unit would be allowed to run until 1.0" and both filters are replaced.

**NOTE:**

THE UNIT CAN CONTINUE TO RUN BEYOND THE 1.0" PRESSURE READING; HOWEVER, AIRFLOW WILL BE FURTHER REDUCED.

**CAUTION:**

TO CHECK INTERNAL COMPONENTS, TURN UNIT POWER OFF.

## HEPA MODULE

Diminished airflow may indicate that the HEPA filters are dirty. The HEPA Filters CANNOT be cleaned. Contact your local TRION representative for all replacement filters.

Remove power to the unit. Open the access door on the HEPA Module. Observe the orientation of the filter and the airflow indicator. Loosen the retaining clamps securing the HEPA filters in place, then remove the HEPA filters.

**NOTE:**

THE HEPA FILTER WEIGHS 35 LBS. WHEN CLEAN. EXERCISE CAUTION.

Install the replacement HEPA filters, noting the orientation of the filter and the airflow indicator. Close the access door and restore power to the unit; the airflow should return to normal.

## GAS/ODOR MODULE

**NOTE:**

THE CARBON TRAYS WEIGH UP TO 25 LBS. EACH. OPTIONAL POTASSIUM PERMANGANATE TRAYS WEIGH UP TO 34 LBS. EACH. EXERCISE CAUTION.

Remove power to the unit. Open the access door on the Gas/Odor Module. Remove the trays from the tracks and place the carbon trays on the floor. Remove the cover plate on each tray. Empty the used carbon from the tray and dispose into a suitable waste dispenser. Refill with carbon or potassium permanganate available from your local TRION representative.

**IMPORTANT:**  
Shake trays to pack carbon tightly. Using an air nozzle, blow the dust from the trays before reinstallation to prevent carbon dust from momentarily passing through the unit.

Replace the cover plate and reinstall trays in the Gas/Odor Module. Close the door and restore power; the airflow should return to normal.

## CLEANING & INSPECTION OF CABINET

After the dirty components have been removed, an inspection of the cabinet should be made. Remove all foreign debris and dirt accumulation inside the

cabinet. Check for dirt accumulation on the blower wheel blades and clean if there is a buildup. Inspect all wiring for loose connections and cracked insulation.

Bearings on both blower and blower motor should be checked for sign of unusual wear.

Models having motors with oil cups require periodic inspection. Use SAE-20 non-detergent motor oil every six months. Motors with ball bearings do not require lubrication. Rubber gasketing should be checked twice a year. Aging occurs primarily due to ozone present in ambient air and eventually hardens the rubber and causes cracking and loss of seal. Contact your local TRION representative for replacement.

## **TROUBLESHOOTING**

All TRION Air Cleaners are manufactured to give the user continued trouble-free service. However, as with all mechanical equipment, breakdowns can occur.

Refer to the Replacement Parts Tables beginning on page 8 for replacement parts.

Before troubleshooting the unit, refer to the wiring diagram, check for proper wiring connections, and the input line voltage.

## **ORDERING REPLACEMENT PARTS**

The following pages contain exploded views and bill of material for the various modules. Use these pages to determine the part numbers of items that are needed.

To order repair parts, contact your local TRION representative, or:

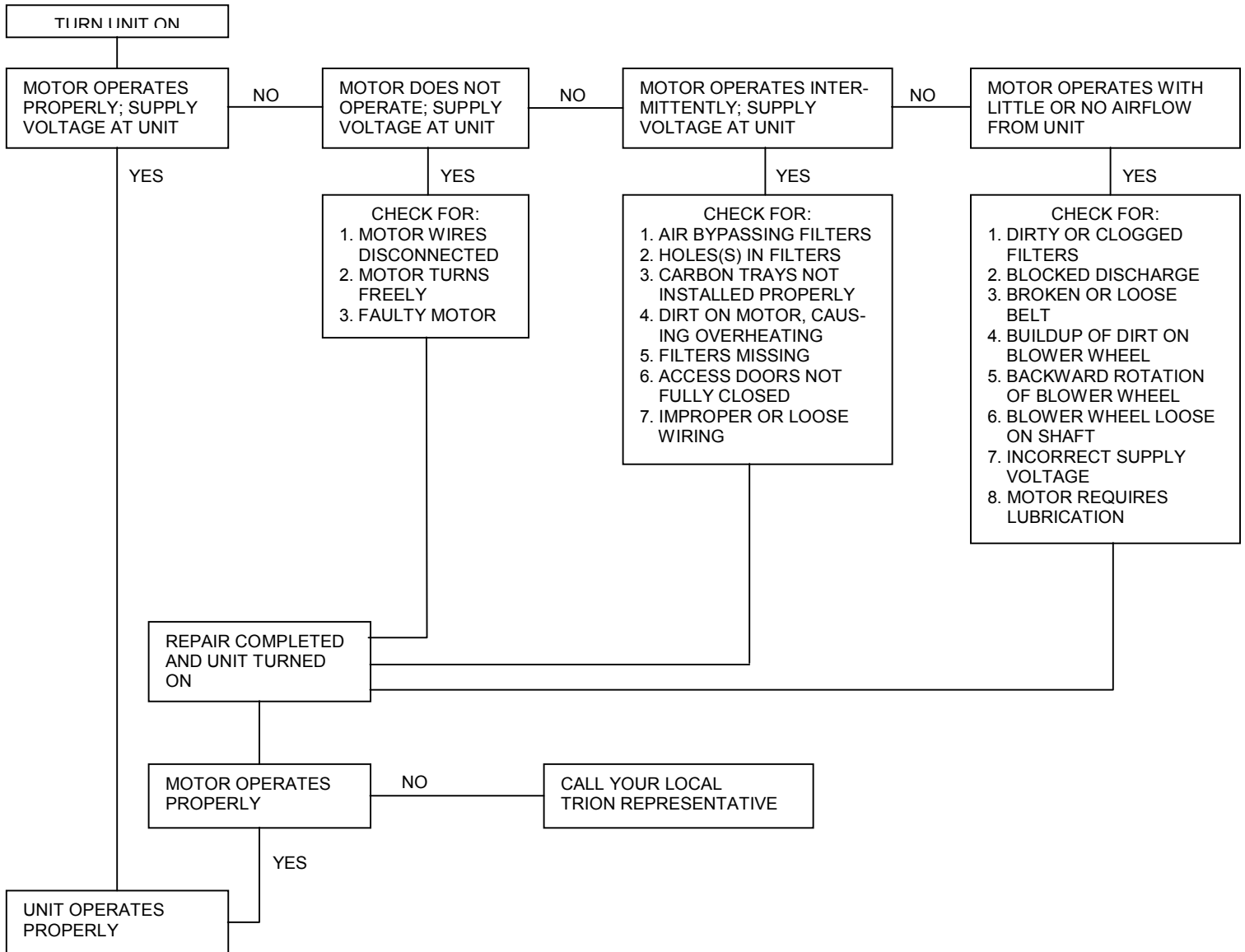
TRION, Inc.  
101 McNeill Road  
Sanford, NC 27330  
800-884-0002

The following information will be required to ensure accuracy in supplying your repair parts:

- Item**
1. Unit Model Number
  2. Unit Serial Number
  3. Part Number & Description

- Located**
- Data label adjacent to junction box on Blower Module
  - Data label adjacent to junction box on Blower Module
  - Exploded views & bill of material

## TROUBLESHOOTING PROCEDURE



## Dimensional and Weight Data

System (CFM)	Module Designation	Module Width	Inside Flange Width	Module Height	Inside Flange Height	System Depth	Module Weight (lbs.)
2000	Shallow Filter	26.00	24.00	29.25	24.25	22.00	110
	Deep Filter	26.00	24.00	29.25	24.25	34.00	132
	Gas/Odor Filter	26.00	24.00	29.25	24.25	38.00	300
	HEPA Filter	28.00	26.00	29.50	24.50	22.25	127
	Blower	28.00	N/A	31.00	N/A	36.39	188
3000	Shallow Filter	37.25	35.25	29.25	24.25	22.00	120
	Deep Filter	37.25	35.25	29.25	24.25	34.00	155
	Gas/Odor Filter	38.00	36.00	29.25	24.25	38.00	421
	HEPA Filter	41.00	39.00	29.50	24.50	22.25	142
	Blower	41.00	N/A	31.00	N/A	36.39	212
4000	Shallow Filter	49.25	47.25	29.25	24.25	22.00	145
	Deep Filter	49.25	47.25	29.25	24.25	34.00	176
	Gas/Odor Filter	50.00	48.00	29.25	24.25	38.00	518
	HEPA Filter	53.00	51.00	29.50	24.50	22.25	185
	Blower	53.00	N/A	31.00	N/A	36.39	233
6000	Shallow Filter	37.25	35.25	53.50	48.50	22.00	150
	Deep Filter	37.25	35.25	53.50	48.50	34.00	194
	Gas/Odor Filter	38.00	36.00	53.50	48.50	38.00	687
	HEPA Filter	41.00	39.00	54.00	49.00	22.25	241
	Blower	41.00	N/A	54.25	N/A	42.39	408
8000	Shallow Filter	49.25	47.25	53.50	48.50	22.00	185
	Deep Filter	49.25	47.25	53.50	48.50	34.00	233
	Gas/Odor Filter	50.00	48.00	53.50	48.50	38.00	889
	HEPA Filter	53.00	51.00	54.00	49.00	22.25	277
	Blower	53.00	N/A	54.25	N/A	42.39	441

**Notes:**

1. All dimensions in inches
2. Module Height dimensions include 3" rails
3. Module Weight determined without filters
4. Gas/Odor Filter Weight includes 76-84# carbon/1000 CFM; consult factory for weights including Potassium Permanganate trays



## Electrical Data 60 Hz

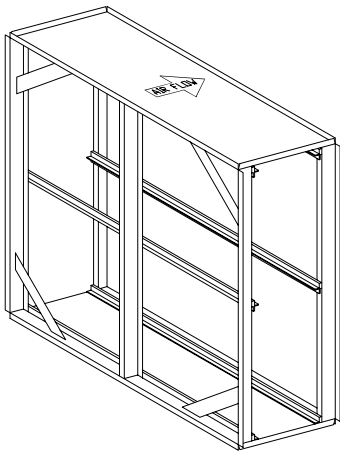
CFM	HP	Input Voltage	Amps
2000	1.5	115/208/230/60/1	17.0/9.8/8.5
		208/230/460/60/3	6.0/5.4/2.7
		575/60/3	1.9
3000	2	115/208/230/60/1	20.0/11.0/10.0
		208/230/460/60/3	6.4/5.8/2.9
		575/60/3	2.0
4000	3	208/230/60/1	16.6/15.0
		208/230/460/60/3	8.8/8.0/4.0
		575/60/3	3.0
6000	5	208/230/460/60/3	13.2/12.0/6.0
		575/60/3	4.8
8000	5	208/230/460/60/3	13.2/12.0/6.0
		575/60/3	4.8

## 50 Hz

CFM	HP	Input Voltage	Amps
2000	1.5	110/220/50/1	17.0/8.5
		190/200/208/220/50/3	6.3/5.9/5.7/5.4
		380/400/416/440/50/3	3.1/3.0/2.9/2.7
3000	2	110/220/50/1	20.0/10.0
		190/200/208/220/50/3	6.7/6.4/6.1/5.8
		380/400/416/440/50/3	3.4/3.2/3.1/2.9
4000	3	220/50/1	15.0
		190/200/208/220/50/3	9.3/8.8/8.5/8.0
		380/400/416/440/50/3	4.6/4.4/4.2/4.0
6000	5	190/200/208/220/50/3	13.9/13.2/12.7/12.0
		380/400/416/440/50/3	6.9/6.6/6.3/6.0
8000	5	190/200/208/220/50/3	13.9/13.2/12.7/12.0
		380/400/416/440/50/3	6.9/6.6/6.3/6.0

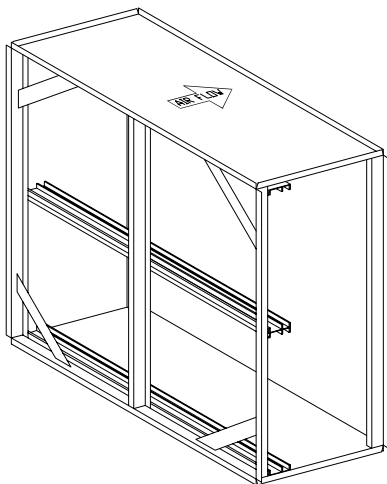
# Shallow Filter Module

Part Number	Description
224451-016	2" Aluminum Mesh Prefilter, 24" x 24"
224451-024	2" Aluminum Mesh Prefilter, 12" x 24"
355829-107	22", 65% Bag, 24" x 24"
355829-007	22", 65% Bag, 12" x 24"
355829-109	22", 95% Bag, 24" x 24"
355829-009	22", 95% Bag, 12" x 24"



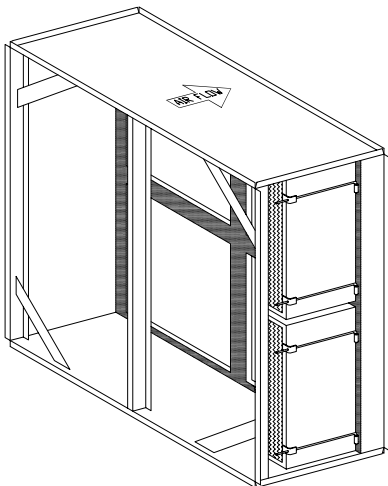
# Deep Filter Module

Part Number	Description
224451-016	2" Aluminum Mesh Prefilter, 24" x 24"
224451-024	2" Aluminum Mesh Prefilter, 12" x 24"
355829-113	30", 65% Bag, 24" x 24"
355829-013	30", 65% Bag, 12" x 24"
355829-115	30", 95% Bag, 24" x 24"
355829-015	30", 95% Bag, 12" x 24"



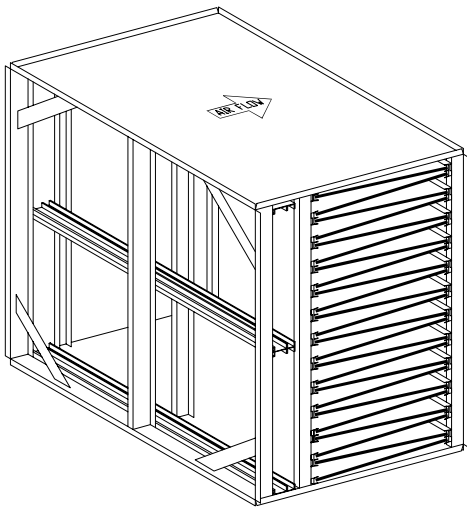
# HEPA Module

Part Number	Description
254510-006	95% HEPA Filter, 24" x 24"
254510-003	95% HEPA Filter, 12" x 24"
254510-005	99.97% HEPA Filter, 24" x 24"
254510-004	99.97% HEPA Filter, 12" X 24"



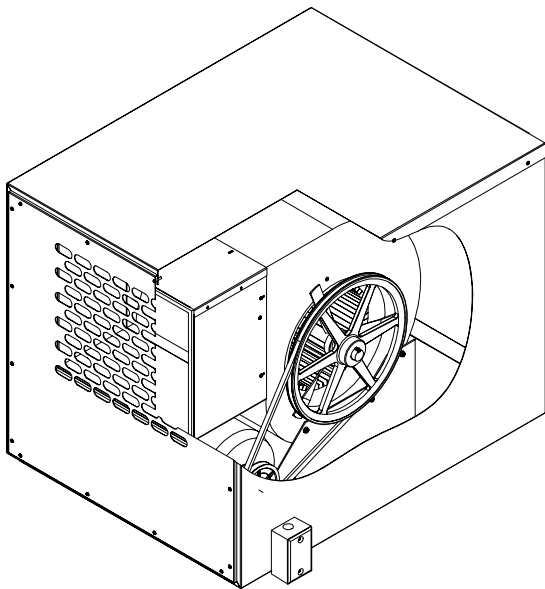
# Gas/Odor Module

Part Number	Description
345392-005	35% Prefilter, 24" x 24"
345392-009	35% Prefilter, 12" x 24"
155680-002	Activated Carbon Tray, 24" x 24" x 2"
155680-001	Activated Carbon Tray, 12" x 24" x 2"
155680-004	Potassium Permanganate Tray, 24" x 24" x 2"
155680-003	Potassium Permanganate Tray, 12" x 24" x 2"
155680-006	50/50 Blend Tray, 24" x 24" x 2"
155680-005	50/50 Blend Tray, 12" x 24" x 2"



# Blower Module

2000, 3000, and 4000 CFM



## Blower Modules 2000 CFM

Part Number	Description
150528-001	Motor, 1-1/2 HP, 115/208-230/60/1
146185-001	Motor, 1-1/2 HP, 208-230/460/60/3
146184-001	Motor, 1-1/2 HP, 575/60/3
62000-0012-22	Blower, Forward Curved
323215-072	V-belt, 1 Phase
323215-068	V-belt, 3 Phase
125699-003	V.P. Sheave, 3.4-4.4, 5/8" Bore (1 & 3 Phase)
124053-022	Blower Sheave, 1 phase
124053-049	Blower Sheave, 3 phase

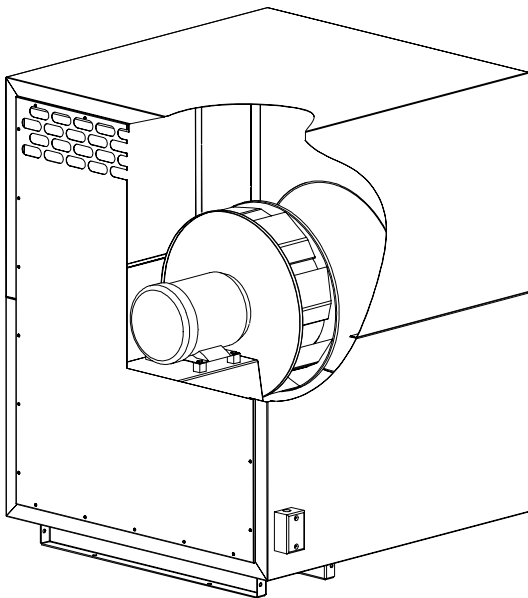
## 3000 CFM

Part Number	Description
141196-001	Motor, 2 HP, 115/208-230/60/1
132230-001	Motor, 2 HP, 208-230/460/60/3
124885-011	Motor, 2 HP, 575/60/3
62000-0012-22	Blower, Forward Curved
323215-072	V-belt, 1 Phase
323215-068	V-belt, 3 Phase
125699-003	V.P. Sheave, 3.4-4.4, 5/8" Bore (1 & 3 Phase)
124053-022	Blower Sheave, 1 phase
124053-049	Blower Sheave, 3 phase

## 4000 CFM

Part Number	Description
145088-001	Motor, 3 HP, 208-230/60/1
124885-010	Motor, 3 HP, 208-230/460/60/3
134599-018	Motor, 3 HP, 575/60/3
62000-0012-22	Blower, Forward Curved (2000, 3000, and 4000 CFM)
323215-072	V-belt, 1 Phase
323215-068	V-belt, 3 Phase
125699-003	V.P. Sheave, 3.4-4.4, 5/8" Bore (1 Phase)
125699-006	V.P. Sheave, 3.4-4.4, 7/8" Bore (3 Phase)
124053-022	Blower Sheave, 1 Phase
124053-049	Blower Sheave, 3 Phase

# Blower Module 6000 and 8000 CFM





# Blower Modules

## 6000 CFM

Part Number	Description
345515-051	Motor, 5 HP, 208-230/460/60/3
345515-132	Motor, 5 HP, 575/60/3
245583-206	Blower Wheel, Backward Inclined
345585-008	Inlet Cone
355842-001	Discharge Grill

## 8000 CFM

Part Number	Description
345515-051	Motor, 5 HP, 208-230/460/60/3
345515-132	Motor, 5 HP, 575/60/3
245583-206	Blower Wheel, Backward Inclined
345585-008	Inlet Cone
355842-002	Discharge Grill

# Performance Data

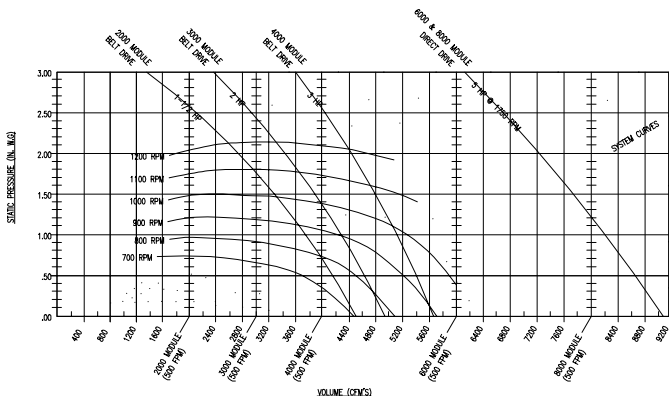


TABLE I

COMPONENT STATIC PRESSURE AT 500 FPM		
COMPONENT	P/N (12"/24")	STATIC PRESSURE (N. W.G.)
2" PREFILTER	- ALUM. MESH 224451-024/-016	.10
	- GALV. MESH 322031-015/-014	.20
4" PREFILTER	- 25% EFF. 69000-0001-19/-1901	.25
	- 35% EFF. 345382-009/-005	.35
12" MINI-PLEAT	- 65% EFF. 345382-010/-006	.40
	- 65% EFF. 346618-011/-001	.25
	- 95% EFF. 346618-014/-004	.35
	- 98% EFF. 346618-015/-005	.55
BAG/POCKET	- 65% EFF. 355829-00X/-10X	.30
	- 85% EFF. 355829-00X/-10X	.35
HEPA	- 95% EFF. 355829-00X/-10X	.45
	- 95% EFF. 254510-003/-006	.65
	- 99.97% EFF. 254510-004/-005	1.00
CARBON	55900-0004-01-1	-
ALUMINA	55900-0004-02-1	-
BLOWER MODULE	- 2000 CFM 455811-02 SIX	.35
	- 3000 CFM 455811-03 SIX	.35
	- 4000 CFM 455811-04 SIX	.35
	- 6000 CFM 455811-06 SIX	.10
	- 8000 CFM 455811-08 SIX	.10

TABLE II

BLOWER RPM VS. STATIC PRESSURE		
UNIT	TOTAL STATIC	BLOWER RPM
2000 CFM	.00 - .50	----
	.50 - .75	980
	.75 - 1.00	1080
	1.00 - 1.25	1150
	1.25 - 1.50	1240
3000 CFM	.00 - .50	----
	.50 - .75	----
	.75 - 1.00	980
	1.00 - 1.25	1050
	1.25 - 1.50	1110
4000 CFM	1.50 - 2.00	1170
	.00 - .50	----
	.50 - .75	950
	.75 - 1.00	1000
	1.00 - 1.25	1060
1.25 - 1.50	1120	
1.50 - 2.00	1180	
2.00 - 2.50	1240	

TABLE III

SHEAVE SETTING VS. BLOWER RPM		
UNIT	TURNS OPEN	BLOWER RPM
2000 CFM - 1#	FULLY CLOSED	950
3000 CFM - 1#	1	994
4000 CFM - 1#	2	1038
	3	1082
	4	1126
	5	1170
	6 (FULLY OPEN)	1214
2000 CFM - 3#	FULLY CLOSED	983
3000 CFM - 3#	1	1027
4000 CFM - 3#	2	1071
	3	1115
	4	1159
	5	1203
	6 (FULLY OPEN)	1247

11 RPM/S / 1/4 TURN OF SHEAVE

- TO DETERMINE SYSTEM PERFORMANCE WITH VARIOUS FILTER COMBINATIONS:
- ADD STATIC OF ALL SPECIFIED COMPONENTS IN TABLE I;
  - DETERMINE BLOWER RPM FROM TABLE II (BELT DRIVE UNITS ONLY)
  - PLOTTING TOTAL OF STATIC PRESSURE ON APPLICABLE PERFORMANCE CURVE AT RATED CFM (500 FPM)
  - FOLLOW SYSTEM CURVE TO INTERSECTION WITH HORSEPOWER CURVE
  - THIS IS THE APPROXIMATE AIRFLOW PERFORMANCE WITH CLEAN FILTERS.

# Warranty

## **Trion Air Cleaner Limited Three-Year Warranty:**

This limited warranty covers Trion Air Cleaners, excluding replacement filters, ductwork, wiring, and installation.

Trion Inc. warrants that all new Trion Air Cleaners are free from defects in material and workmanship under normal use and service. Trion will remedy any such defects if they appear within 36 months from the manufacturing date code, subject to the terms and conditions of this Limited Three-Year Warranty stated below:

1. This Limited Three-Year Warranty is granted by Trion Inc., 101 McNeill Road, Sanford, North Carolina, 27330.
2. This warranty shall extend only to any owner who has purchased the air cleaner other than for purposes of resale.
3. All components are covered by this limited warranty except expendable items such as prefilters, main filters, HEPA filters, and adsorber (gas/odor) trays.
4. If within the warranty period any Trion air cleaner unit or component requires service, a distributor or Trion service representative must perform the service. Trion Inc. will not pay shipping charges or labor charges to remove or replace such defective parts or components. If the part of component is found by inspection to contain such defective mater and workmanship, it will be either repaired or exchanged free of charge at Trion's option and returned freight collect.
5. In order to obtain the benefits of this limited three-year warranty, the owner must notify the distributor or Trion in writing of any defect within 30 days of its discovery. If after reasonable time you have not received an adequate response from the distributor or Trion, notify Trion, in writing, attention Customer Service Department. Trion will receive, freight prepaid, only removable parts or components of such defective air cleaners.
6. This limited warranty does not apply to any part or component that is damaged in transit; when handling, has been subject to misuse, neglect or accident; has not been installed, operated, and serviced according to Trion's instruction; has been operated beyond the factory rated capacity, or altered in any such way that its performance is affected. There is no warranty due to neglect, alteration, or normal wear and tear. Trion's liability is limited to replacement of defective parts or components and does not include the payment of the cost of labor charges to remove or replace such defective components or parts.
7. Trion will not be responsible for loss of use of any product, loss of time, inconvenience, or any other indirect, incidental or consequential damages with respect to person or property, whether as a result of breach or warranty, neglect, or otherwise. SOME STATES DO NOT ALLOW THE EXCLUSION OR LIMITATION OF INCIDENTAL OR CONSEQUENTIAL DAMAGES, SO THE LIMITATION OR EXCLUSION IN THE PRECEDING SENTENCE MAY NOT APPLY TO YOU.
8. THIS WARRANTY GIVES YOU SPECIFIC RIGHTS, AND YOU MAY ALSO HAVE OTHER RIGHTS THAT VARY FROM STATE TO STATE.
9. Any warranty work will be performed within a reasonable time, usually within 120 days after notice of defect and delivery to the Trion factory, subject to delay beyond Trion's control.
10. Any warranty by Trion of merchantability, fitness for use of any other warranty (express, implied, or statutory), representation or guarantee other than those set forth herein, shall expire at the expiration date of this express limited warranty. SOME STATES DO NOT ALLOW LIMITATIONS ON HOW LONG IMPLIED WARRANTY LASTS, SO THE LIMITATION IN THE PRECEDING SENTENCE MAY NOT APPLY TO YOU.
11. Trion reserves the right to make changes in the design and material of its products without incurring any obligation to incorporate such changes in units completed on the effective date of such change.