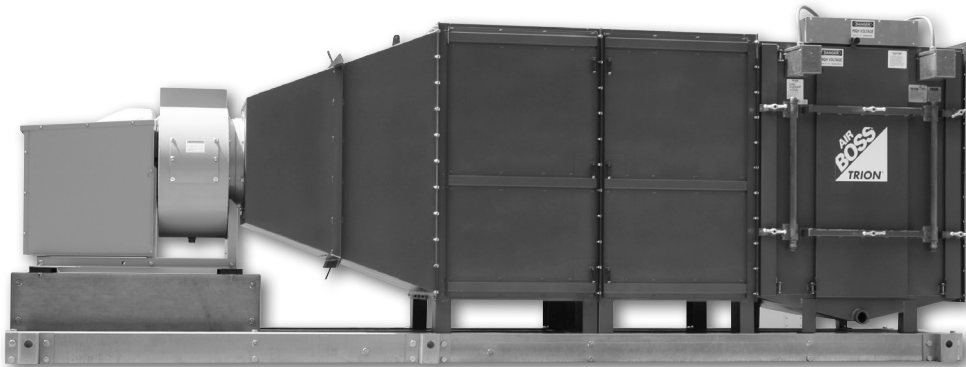


TRION[®]

Indoor Air Quality



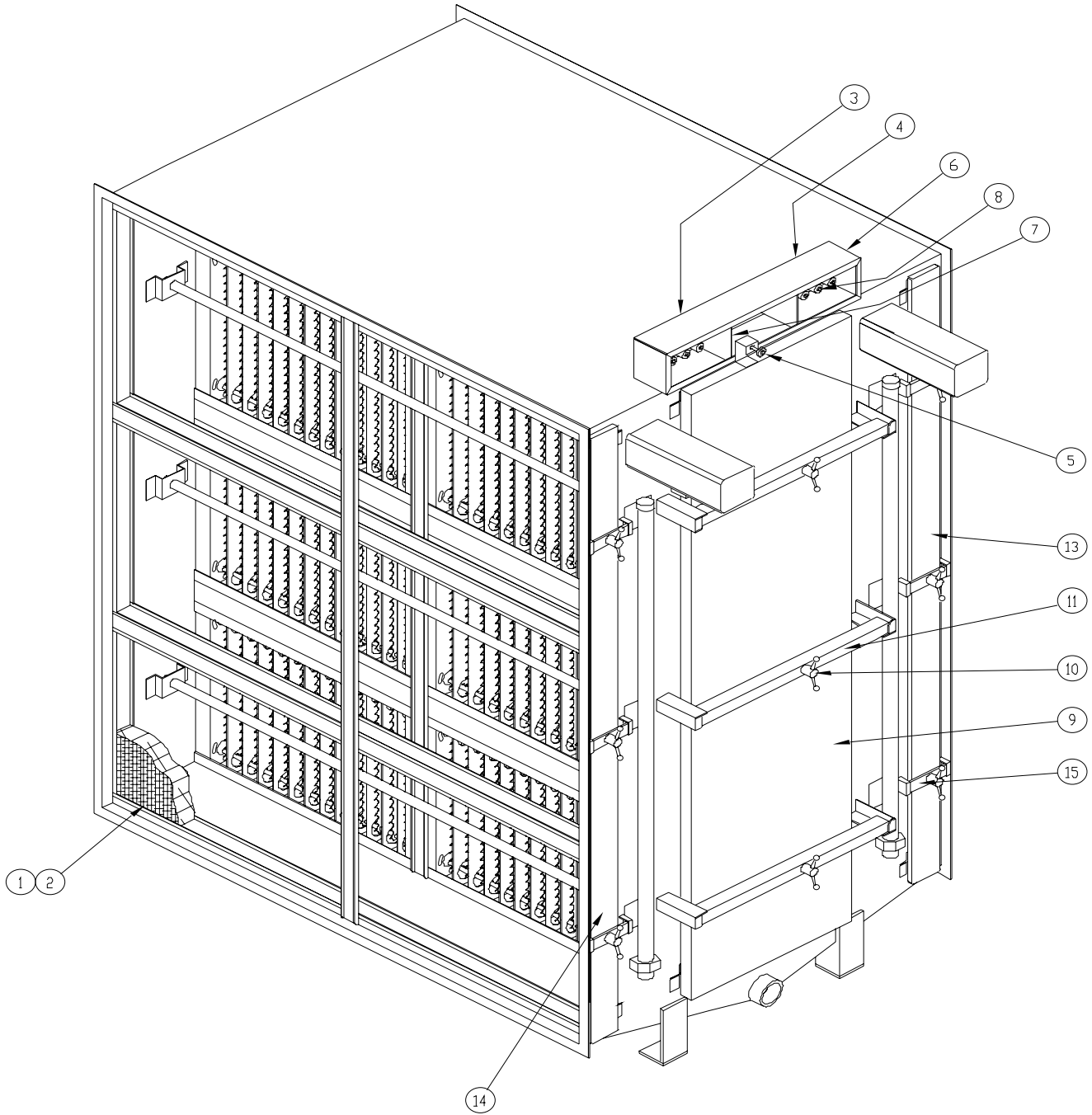
LISTED

Accepted For Use
City of New York
Department of Buildings
MEA 288-01-E and 88-99-E

PARTS MANUAL

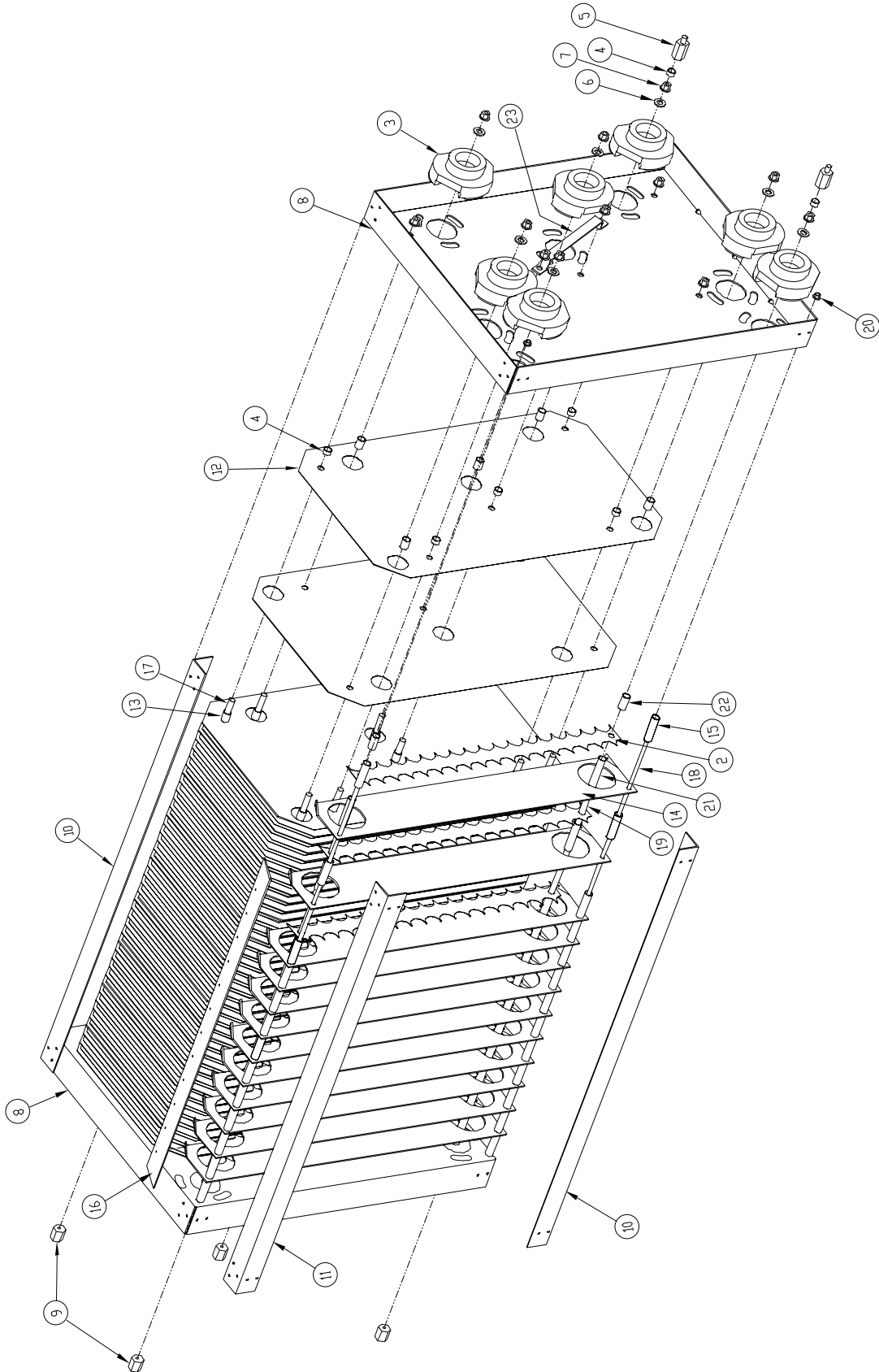
Air Boss[®] Model 75 Series
Electrostatic Precipitators
Commercial & Industrial Applications

Model 75 Cabinet Assembly



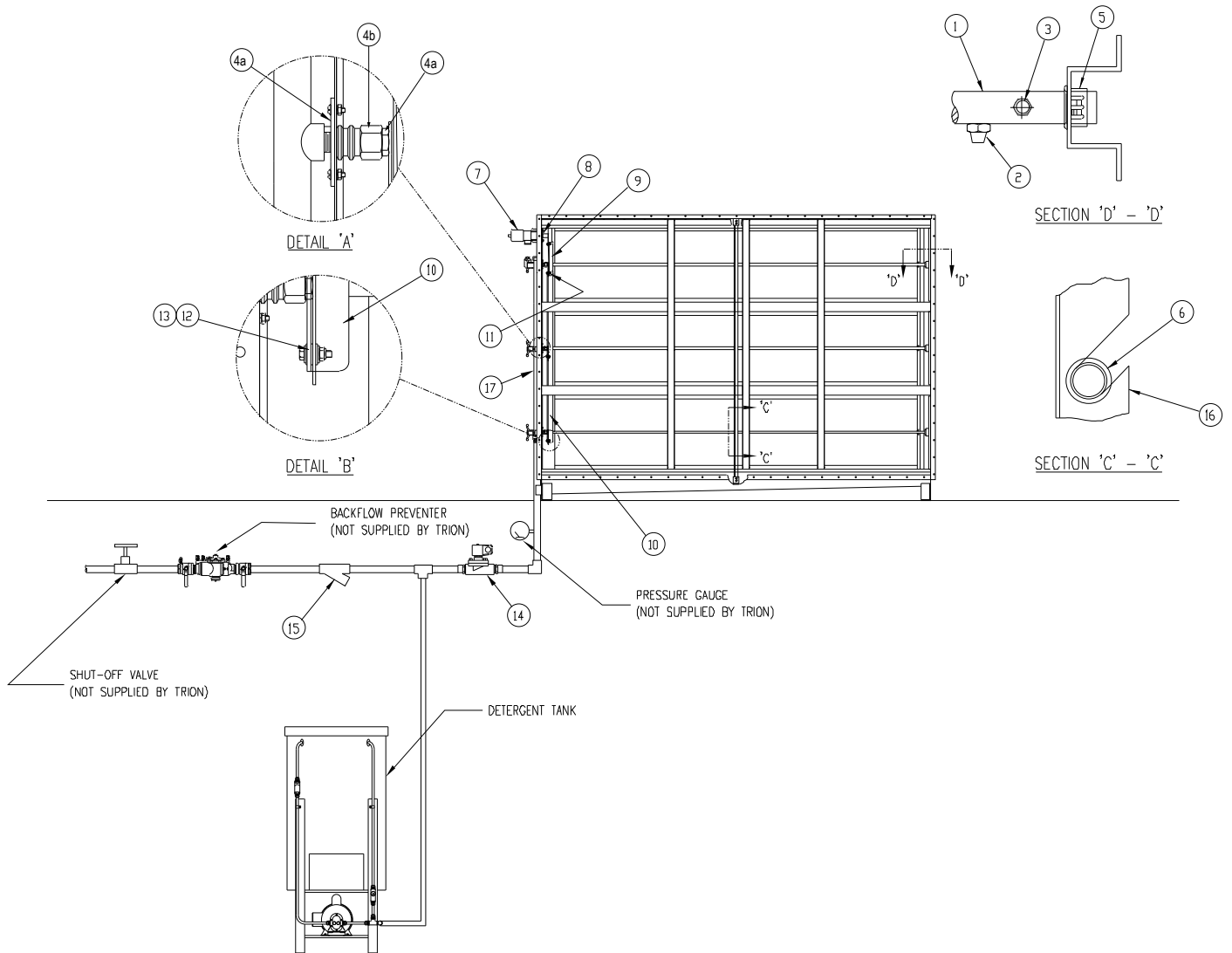
KEY	PART DESCRIPTION	PART NUMBER
1	Mesh After Filter 2'	240550-010
	Mesh After Filter 3'	240550-012
2	Perforated Plate Prefilter 2'	344601-002
	Perforated Plate Prefilter 3'	344601-003
3	High Voltage Cable, Red (per foot) - not shown	144271-001
4	High Voltage Cable, Red with black stripe (per foot) - not shown	144271-002
5	Actuator Screw Assembly	235448-005
6	Electrical Junction Box	453912-001
7	Electrical Interlock Switch	235893-001
8	Standoff Insulator	244214-001
9	Access Door Assemblies (includes items 10-12)	
	75-102-XX thru 75-110-XX	455823-001
	75-203-XX thru 75-210-XX	455823-002
	75-303-XX thru 75-310-XX	455823-003
10	Access Door Handle	126926-001
11	Tube Bar Assembly	327025-003
12	Access Door Gasket 3/4' x 5/8" (not shown)	220062-155
13	Filter Access Door Assemblies (right hand) Includes item 5, 15 &16	
	75-102-XX thru 75-110-XX	444939-101
	75-203-XX thru 75-210-XX	444939-102
	75-303-XX thru 75-310-XX	444939-103
14	Filter Access Door Assemblies (left hand) Includes item 5, 15 &16	
	75-102-XX thru 75-110-XX	444939-104
	75-203-XX thru 75-210-XX	444939-105
	75-303-XX thru 75-310-XX	444939-106
15	Filter Access Door Latching Bar	144891-002
16	Filter Access Door Gasket (not shown)	224779-005

Ionizer Collector Cell



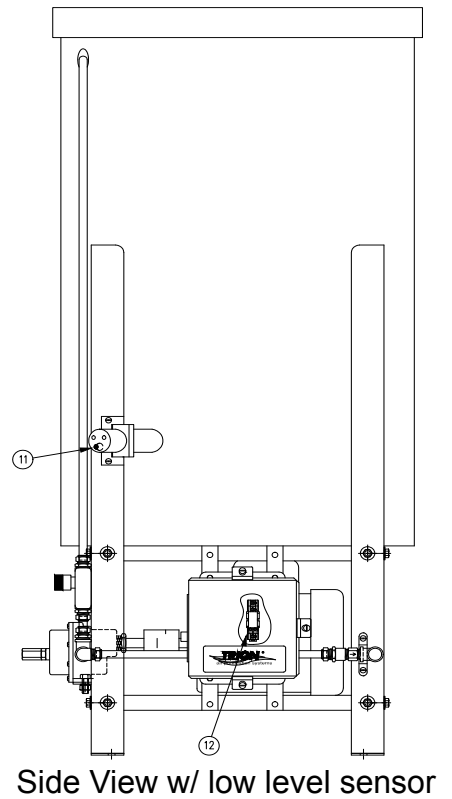
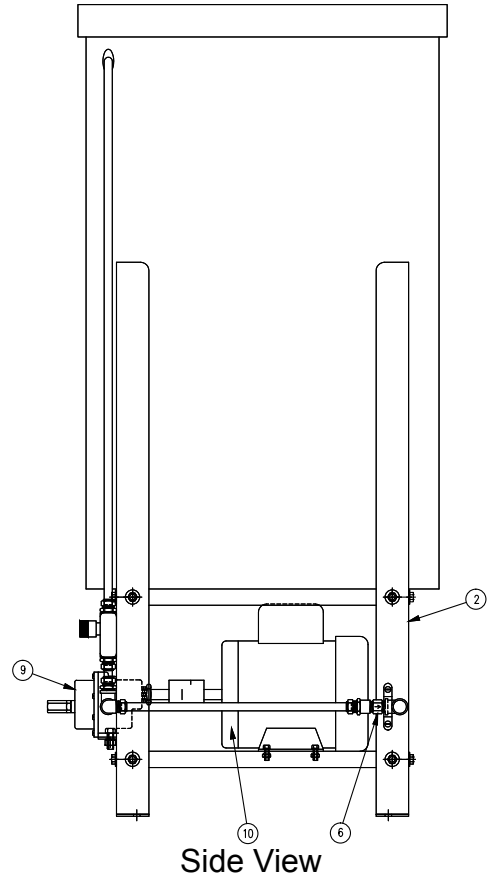
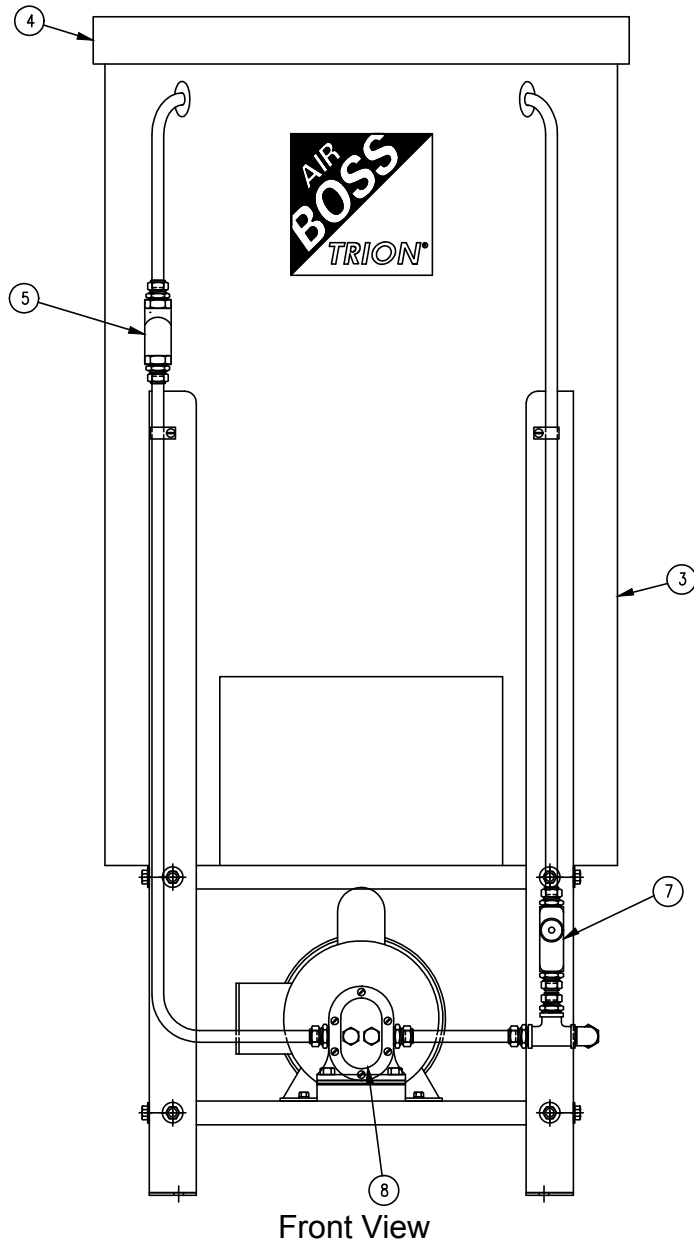
KEY	PART DESCRIPTION	PART NUMBER
1	2 Ft Cell Assembly, Standoff Insulators	422733-514N
	3 Ft Cell Assembly, Standoff Insulators	422733-515N
2	Spiked Ionizer Blade	358189-001
3	Standoff Insulator	352212-002
4	End Spacer	225546-016
5	Plunger Contact	147704-003
6	Washer, Nylon 3/8"	120456-007
7	Nut/Lockwasher, External Tooth 3/8-16"	121800-014
8	End Plate	450299-002
9	Long Nut	150461-001
10	Back Brace 2 Ft Cell	222758-001
	Back Brace 3 Ft Cell	222758-002
11	Cell Brace 2 Ft Cell	222758-008
	Cell Brace 3 Ft Cell	222758-009
12	Collector Plate (High Voltage & Ground)	222780-001
13	Spacer - Cell Core	225546-041
14	Ionizer Ground Electrode	222777-001
15	Spacer Ionizer Ground Electrode	220107-098
16	Top Frame Ionizer Ground Electrode	
	2 Ft Cell	222772-001
	3 Ft Cell	222772-002
17	Tie Rod - Ground - 3/8"	
	2 Ft Cell	222785-002
	3 Ft Cell	222785-004
18	Tie Rod - Ionizer Ground Electrode 1/4"	
	2 Ft Cell	222794-035
	3 Ft Cell	222794-002
19	Tie Rod - High Voltage Contact	
	2 Ft Cell	222785-015
	3 Ft Cell	222785-016
20	Nut/Lockwasher, External Tooth 1/4-20"	121800-010
21	Spacer, Spiked Ionizer Blade	222781-043
22	End Spacer, Spike Ionizer Blade	
	2 Ft Cell	222781-042
	3 Ft Cell	222781-054
23	Handle	256528-001

Wash Water System



KEY	PART DESCRIPTION	PART NUMBER
1	Manifold Asm 75-102	344593-002
	Manifold Asm 75-103 thru 75-303	344593-003
	Manifold Asm 75-104 thru 75-304	344593-004
	Manifold Asm 75-105 thru 75-305	344593-005
	Manifold Asm 75-106 thru 75-306	344593-006
	Manifold Asm 75-107 thru 75-307	344593-007
	Manifold Asm 75-108 thru 75-308	344593-008
	Manifold Asm 75-109 thru 75-309	344593-009
	Manifold Asm 75-110 thru 75-310	344593-010
2	Spray Nozzle	221072-002
3	Pipe Plug Nylon	130124-001
4a	Swivel Assembly (Plug and Mounting Plate)	132849-001
4b	Socket	130792-102
5	Manifold Bushing, Idler End	220105-045
6	Manifold Bushing, Center Support	125366-001
7	Manifold Driver Motor	158324-001
8	Manifold Motor Drive Arm Assembly	221087-013
9	Manifold Drive Top Connecting Link	227189-001
10	Manifold Drive Main Link 2 Cell High Unit	227188-001
	Manifold Drive Main Link 3 Cell High Unit	227188-002
11	Bushing Manifold Linkage 5/8"	221101-002
12	Bushing Manifold Linkage 7/16"	221101-001
13	Nylon Spacer Washer, Manifold	120456-007
14	Solenoid Valve, 3/4" (Wash Water Supply)	355158-003
	Solenoid Valve, 1" (Wash Water Supply)	355158-005
	Solenoid Valve, 1-1/4" (Wash Water Supply)	355158-007
	Solenoid Valve, 1-1/2" (Wash Water Supply)	355158-008
15	Strainer, 2" (Wash Water Supply)	125766-003
16	Manifold Support For:	
	75-107-XX thru 75-110-XX	344986-001
	75-207-XX thru 75-210-XX	344986-002
	75-307-XX thru 75-310-XX	344986-003
17	Header Assembly 75-203-XX thru 75-210-XX	354022-002
	Header Assembly 75-303-XX thru 75-310-XX	354022-003

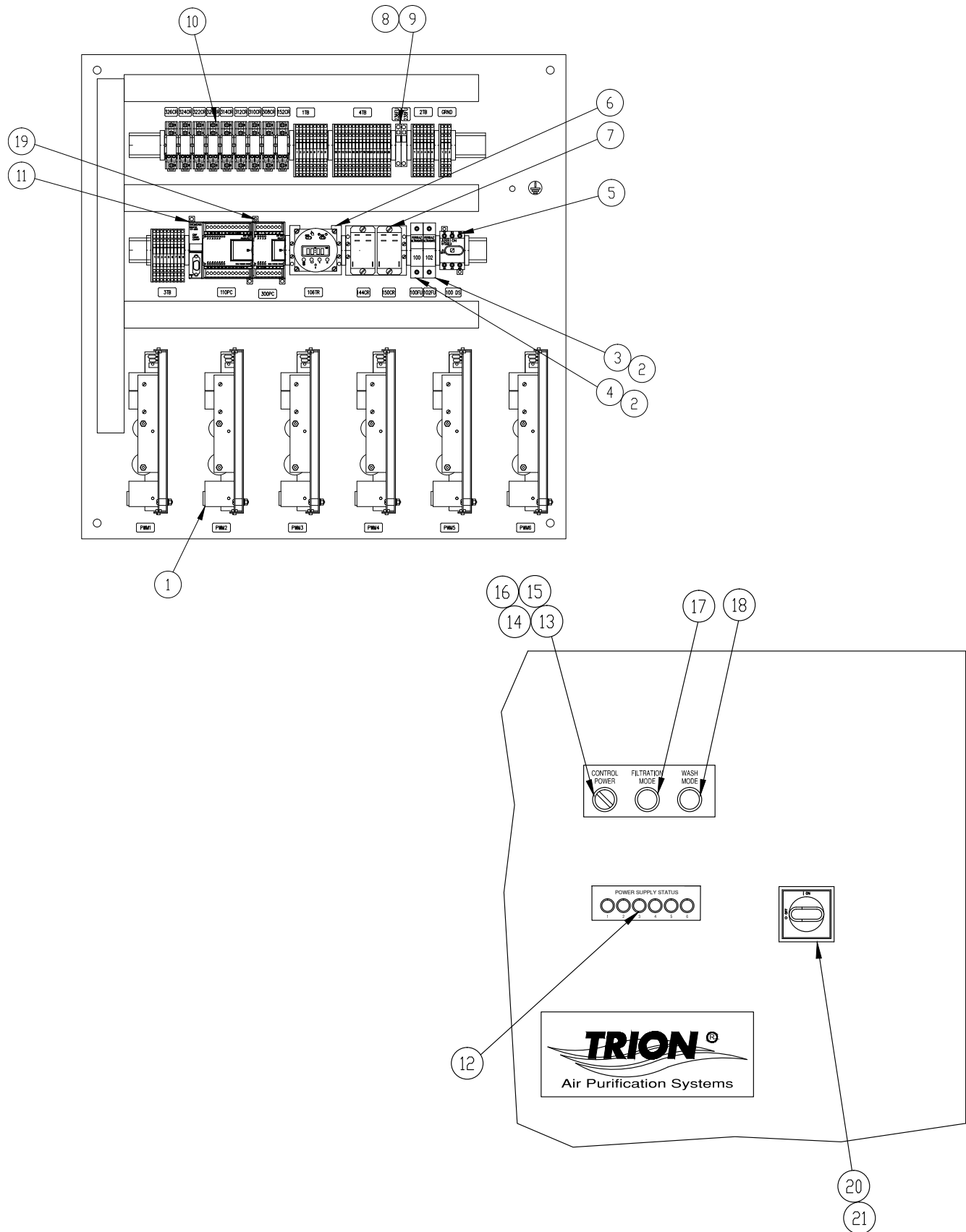
Detergent Feeder Assembly



Detergent Feeder Assembly

KEY	PART DESCRIPTION	PART NUMBER
1	Detergent Feeder Assembly - Complete (Includes items 2-10)	
	16 Gallon Capacity	459485-001
	30 Gallon Capacity	459485-002
	55 Gallon Capacity	459485-003
2	Stand Assembly	
	16 Gallon Capacity	359331-016
	30 Gallon Capacity	359331-030
	55 Gallon Capacity	359331-055
3	Tank (Does not include Lid - Item #4)	
	16 Gallon Capacity	329267-001
	30 Gallon Capacity	329267-002
	55 Gallon Capacity	329267-003
4	Tank Lid	
	16 Gallon Capacity	121019-003
	30 Gallon Capacity	121019-004
	55 Gallon Capacity	121019-005
5	Strainer	129797-001
6	Check Valve	
	16 & 30 Gallon Tank	121021-003
	55 Gallon Tank	121021-004
7	Control Valve	125476-001
8	Pump / Motor Assembly (includes 9 & 10)	
	Rotary Gear Pump w/ 1/2 HP Motor 16 & 30 Gal Detergent	435608-001
	Detergent Feeder (can be ordered as an assembly)	
	Rotary Gear Pump w/ 3/4 HP Motor 55 Gal Detergent	
	Must be ordered as Individual Items 9 & 10	
9	Rotary Gear Pump (used w/ 1/2 HP motor) - 16 & 30 Gallon	435608-101
	Rotary Gear Pump (used w/ 3/4 HP motor) - 55 Gallon	335612-001
10	1/2 HP, 115V Motor - 16 & 30 Gallon	435608-107
	3/4 HP, 115V Motor - 55 Gallon	129490-001
UNITS WITH LOW DETERGENT LEVEL SENSOR		
11	Capacitive Proximity Sensor	237589-005
12	Relay	244342-005

Control Panel Assembly



KEY	PART DESCRIPTION	PART NUMBER
1	Circuit Board Assembly 120V	448740-301
2	Fuse Holder	159836-001
3	Fuse 20 Amp	236383-032
	Fuse 12 Amp	236383-030
4	Fuse 10 Amp	236383-029
5	Disconnect Switch	265011-001
6	Clock Mtg Asm	255204-001
7	Relay Mtg Asm	255203-001
8	Fuse Holder	242682-034
9	Metric Fuse 1.6 Amp	142675-004
10	Relay	244342-005
11	Programmable Controller	356357-002
12	LED Asm 76"	241101-017
13	Knob Operator	247298-101
14	Lamp Module	247298-201
15	Contact Block and Holder	247298-301
16	Lamp Bulb	247298-401
17	Switch, Push Button, Black	152210-001
18	Illum Push Button 120V, Blue	147294-001
19	Expansion Module	356357-011
20	Knob, Disconnect	265011-002
21	Shaft, Disconnect	265011-003



TRION®

101 McNeill Rd. | Sanford, NC 27330

P: 800.884.0002 | F: 800.458.2379 | www.trioniaq.com | customerservice@trioniaq.com
